

# IRIS Indigo<sup>®</sup> Workstation Owner's Guide

Document Number 007-9065-050

## CONTRIBUTORS

Written by Maria Chambers, Amy Smith, Judy Muchowski

Edited by Loraine McCormick, Christina Cary

Illustrations by Dany Galgani

Production by Linda Rae Sande

Cover design and illustration by Rob Aguilar, Rikk Carey, Dean Hodgkinson,  
Erik Lindholm, and Kay Maitz

© 1996, Silicon Graphics, Inc.— All Rights Reserved

The contents of this document may not be copied or duplicated in any form, in whole or in part, without the prior written permission of Silicon Graphics, Inc.

## RESTRICTED RIGHTS LEGEND

Use, duplication, or disclosure of the technical data contained in this document by the Government is subject to restrictions as set forth in subdivision (c) (1) (ii) of the Rights in Technical Data and Computer Software clause at DFARS 52.227-7013 and/or in similar or successor clauses in the FAR, or in the DOD or NASA FAR Supplement. Unpublished rights reserved under the Copyright Laws of the United States. Contractor/manufacturer is Silicon Graphics, Inc., 2011 N. Shoreline Blvd., Mountain View, CA 94043-1389.

Silicon Graphics, the Silicon Graphics logo, IRIS Indigo, and IRIS are registered trademarks and Indigo<sup>2</sup>, Indigo Magic, IRIS InSight, IRIX, and Workspace are trademarks of Silicon Graphics, Inc. FrameMaker is a trademark of Frame Technology Corporation. Macintosh and ImageWriter are registered trademarks of Apple Computer, Inc. Spaceball is a trademark of Spatial Systems, Inc. NFS is a registered trademark of Sun Microsystems, Inc. NetLS is a trademark of Apollo Computer, Inc., a subsidiary of Hewlett-Packard Company. R3000, R4000 and R4400 are registered trademarks of MIPS Technologies, Inc.

IRIS Indigo® Workstation Owner's Guide  
Document Number 007-9065-050

---

# Contents

**List of Figures** ix

**List of Tables** xv

- 1. Introduction** 3
  - Finding the Information You Need 4
    - Indigo Workstation Owner's Guide 5
    - IRIS Software Installation Guide 5
      - Conventions 5
    - IRIS InSight Online Documentation and Help 6
    - System Tour 7
  - Where to Go from Here 8
- 2. Getting Started** 11
  - Selecting a Site 12
  - Unpacking and Setting Up the IRIS Indigo Workstation 12
  - About the CD Software Media 15
  - Putting the Pieces Together 16
  - Turning On the IRIS Indigo Workstation 25
  - Logging In to the Workstation 27
    - Creating Your Login Account and Network Connection 28
  - Using the Indigo Magic User Environment 30
    - Mouse Techniques and Shortcuts 30
    - System Tour 31
    - The Desktop and the Icons 31
    - Console Window 32
    - The Toolchests 32
    - IRIS InSight and Online Help 33

Shutting Down and Turning Off IRIS Indigo	34
Locking Your IRIS Indigo Workstation	36
<b>3. Installing Memory</b>	<b>41</b>
Adding SIMMs to the IRIS Indigo Workstation	41
Shutting Down the System	42
Removing the Covers and CPU Board	42
Locating the SIMM Sockets	45
Installing the SIMMs	46
Installing the SIMMs in an IRIS Indigo R3000 Workstation	47
Installing the SIMMs in an IRIS Indigo R4000 Family Workstation	49
Replacing the CPU Board and Covers	51
Checking New Memory	54
Removing Memory	55
Shutting Down the System	56
Removing the Covers and CPU Board	56
Removing the Memory SIMMs	58
Removing the Memory SIMMs from an IRIS Indigo R3000 Workstation	59
Removing the Memory SIMMs from an IRIS Indigo R4000 Family Workstation	61
Replacing the CPU Board and Covers	62
<b>4. Installing Peripherals</b>	<b>67</b>
Installing Internal Drives	67
Installing the Drive	68
Testing the Internal Drive	72
If You Installed a CD-ROM Drive	72
If You Installed a Floppy or Floptical Disk Drive	73
If You Installed a Tape Drive	73
Cleaning DAT Drives	73
On Removing Drives	75

Installing External Devices	75
Assigning a SCSI Address to the External Device	75
Setting the SCSI Address on the External Device	76
Attaching the Device	76
Testing the External Device	80
If You Installed a CD-ROM Drive	81
If You Installed a Floppy or Floptical Disk Drive	82
If You Installed a Tape Drive	82
If You Installed a Printer	82
Installing Serial Devices	83
Installing the Device	83
Configuring the Device	85
Other Serial Cables	85
Printer/Modem/Dumb Terminal Serial Cable	86
Modem Cable	87
Serial Devices Using a Silicon Graphics Adapter Cable	88
Serial Devices Using a PC Adapter Cable	89
<b>5. Installing and Removing Software</b>	<b>93</b>
Installing a New Version of the Operating System Software	93
Installing Optional Software	97
Choosing Subsystems to Install or Remove	102
Troubleshooting Software Installation	105
System Cannot Find the New Software	105
System Cannot Complete an Installation	106
System Reports Errors After an Installation	107
Removing Optional Software	107

- 6. Troubleshooting 111**
  - Overview 111
    - Power-On Tests 112
      - No Visible Light from the LED with No Error Message 113
      - A Blinking Amber LED with No Error Message 113
      - A Blinking Amber LED with an Error Message 114
      - A Solid Amber LED with No Error Message 114
      - A Solid Amber LED with an Error Message 115
      - Green LED But the Keyboard Doesn't Work 116
      - Green LED But the Mouse Doesn't Work 116
    - Interactive Diagnostic Environment (IDE) Tests 118
    - Confidence Tests 121
      - Audio 122
      - Dial and Button, Tablet, Genlock, and Spaceball 123
      - CD-ROM Drive 123
      - Floppy Drive 124
      - Keyboard 124
      - Monitor 125
      - Mouse 126
      - Quarter Inch Tape and Digital Audio Tape Drives 127
    - Recovering From a System Crash 129

Ordering, Removing and Installing Parts	134
Ordering Replacement Parts	135
Removing and Installing Parts	135
Replacing the Keyboard	136
Replacing the Graphics Board	136
Shutting Down the System	136
Removing the Covers and Graphics Board	137
Replacing the Graphics Board and Covers	139
Replacing the CPU Board or CPU Module	141
Shutting Down the System	142
Removing the Covers and CPU Board	142
Replacing the CPU Module	145
Replacing the CPU Board and Covers	148
Replacing the Power Supply	151
Shutting Down the System	151
Removing the Covers and Power Supply	152
Installing the Power Supply	155
Checking and Removing Memory	156
Replacing SCSI Devices	156
Disconnecting the Device	157
Installing the New Device	158
Replacing Internal Drives	159
Removing the Drive	159
Installing the New Drive	160
Service and Support Information	161

- 7. **Safety, Maintenance, and Regulatory Information** 165
  - Maintaining Your Hardware and Software 165
    - Hardware Do's and Don'ts 165
    - Software Do's and Don'ts 166
  - Human Factors Guidelines for Setting up your IRIS Indigo Workstation 166
    - ANSI Standard for Visual Display Terminal (VDT) Workstations 167
    - Computer Aided Design (CAD) Operator Preferences 169
  - Tips for Setting Up and Using Your Workstation 169
    - Facilities Selection 169
    - Adjusting Your Chair, Work Surface, and IRIS Indigo 170
    - Workstation Usage 171
  - Manufacturer's Regulatory Declarations 171
    - Electromagnetic Emissions for IRIS Indigo R3000 and IRIS Indigo R4400 175
    - Electromagnetic Emissions for IRIS Indigo R3000 Elan and IRIS Indigo R4000 176
    - Radio and Television Interference 176
    - Product Safety 178
    - Ergonomics 178
    - Electrostatic Discharge 178
    - Shielded Cables 179
  - Limited User Warranty 179
- A. **Cable Pinout Assignments** 181
  - Serial Ports 181
  - Parallel Port 182
  - Ethernet AUI 184
  - Keyboard 185
  - SCSI Port 186
  - Audio 188
- Glossary** 189
- Index** 205



---

## List of Figures

<b>Figure 1-1</b>	Sources of Information for the Indigo Workstation	4
<b>Figure 1-2</b>	Documentation	5
<b>Figure 1-3</b>	IRIS Insight Icon	6
<b>Figure 1-4</b>	System Tour Icon	7
<b>Figure 2-1</b>	Lifting the IRIS Indigo Chassis Out of the Box	13
<b>Figure 2-2</b>	Tipping the IRIS Indigo Chassis Upright	13
<b>Figure 2-3</b>	The IRIS Indigo Parts	14
<b>Figure 2-4</b>	Removing the Front Cover of the IRIS Indigo Chassis	16
<b>Figure 2-5</b>	Orientation of the Drive	17
<b>Figure 2-6</b>	Installing the System Disk	17
<b>Figure 2-7</b>	Installing the Option Drives in the Top or Middle Slot	18
<b>Figure 2-8</b>	Replacing the Front Cover of the IRIS Indigo Workstation	19
<b>Figure 2-9</b>	Connecting the Monitor Video Cable to the IRIS Indigo Chassis	20
<b>Figure 2-10</b>	Connecting the Monitor to the Workstation with the Monitor Power Cable	21
<b>Figure 2-11</b>	Connecting the Keyboard to the IRIS Indigo Chassis	22
<b>Figure 2-12</b>	Connecting the Ethernet Cable	23
<b>Figure 2-13</b>	Connecting the Power Cable	24
<b>Figure 2-14</b>	Turning on the Power Switch	25
<b>Figure 2-15</b>	Running the Power-On Diagnostics Notifier	26
<b>Figure 2-16</b>	System Startup Notifier	26
<b>Figure 2-17</b>	System is Coming Up Notifier	26
<b>Figure 2-18</b>	The Login Screen	27
<b>Figure 2-19</b>	The EZsetup Screen	28
<b>Figure 2-20</b>	System Tour Icon	31

<b>Figure 2-21</b>	Desktop Icons	31
<b>Figure 2-22</b>	CD Player Icon	32
<b>Figure 2-23</b>	The Minimized Console Window	32
<b>Figure 2-24</b>	The Toolchests	32
<b>Figure 2-25</b>	IRIS InSight Icon	33
<b>Figure 2-26</b>	The Toolchests	34
<b>Figure 2-27</b>	Okay to Power Off Notifier	34
<b>Figure 2-28</b>	Turning Off the Power Switch	35
<b>Figure 2-29</b>	Locating the Lockbar Slot on the Front of the IRIS Indigo Workstation	36
<b>Figure 2-30</b>	Sliding the Lockbar into the Slot in the Front of the Workstation	37
<b>Figure 2-31</b>	Locking the IRIS Indigo Workstation	38
<b>Figure 3-1</b>	The Toolchests	42
<b>Figure 3-2</b>	Removing the Plastic Cover of the Indigo Chassis	42
<b>Figure 3-3</b>	Opening the Front Metal Panel	43
<b>Figure 3-4</b>	Removing the CPU Board From the Indigo Chassis	44
<b>Figure 3-5</b>	Locating the SIMM Sockets	45
<b>Figure 3-6</b>	Orienting Yourself to the IRIS Indigo R3000 SIMM	47
<b>Figure 3-7</b>	Pressing the SIMM Into the Socket	48
<b>Figure 3-8</b>	Orienting Yourself to the CPU Board	49
<b>Figure 3-9</b>	Orienting Yourself to the IRIS Indigo R4000 family SIMM	50
<b>Figure 3-10</b>	Tilting the SIMM Up to a Vertical Position	50
<b>Figure 3-11</b>	Installing the CPU Board	51
<b>Figure 3-12</b>	Tilting the Metal Panel Up to the IRIS Indigo Chassis	52
<b>Figure 3-13</b>	Replacing the Front Plastic Cover	53
<b>Figure 3-14</b>	System Startup Notifier	54
<b>Figure 3-15</b>	System is Coming Up Notifier	54
<b>Figure 3-16</b>	The Toolchests	55
<b>Figure 3-17</b>	The Toolchests	56
<b>Figure 3-18</b>	Removing the Plastic Cover From the Indigo Chassis	56
<b>Figure 3-19</b>	Opening the Front Metal Panel	57

---

<b>Figure 3-20</b>	Removing the CPU Board From the Indigo Chassis	58
<b>Figure 3-21</b>	Orienting Yourself to the CPU Board	59
<b>Figure 3-22</b>	Removing the SIMM Using the SIMM Removal Tool	60
<b>Figure 3-23</b>	Removing a Memory SIMM from an IRIS Indigo R4000 Family Workstation	61
<b>Figure 3-24</b>	Installing the CPU Board	62
<b>Figure 3-25</b>	Tilting the Metal Panel Up to the Indigo Chassis	63
<b>Figure 3-26</b>	Replacing the Front Plastic Cover	64
<b>Figure 4-1</b>	Turning Off the Power Switch	68
<b>Figure 4-2</b>	Removing the Front Plastic Cover of the Chassis	69
<b>Figure 4-3</b>	Drive Slots in the Front of the Chassis	70
<b>Figure 4-4</b>	Holding Drive to Install in a Front Slot	70
<b>Figure 4-5</b>	Sliding the Drive Into the Slot	71
<b>Figure 4-6</b>	Replacing the Front Cover of the IRIS Indigo Workstation	71
<b>Figure 4-7</b>	The Toolchests	72
<b>Figure 4-8</b>	SCSI Connector on the Back of the Indigo Chassis	77
<b>Figure 4-9</b>	SCSI Cable and Terminator on the Back of the SCSI Drive	78
<b>Figure 4-10</b>	Daisy-chaining an External SCSI Device to Another External SCSI Device	79
<b>Figure 4-11</b>	Power Cable and Power Switch on the Back of the SCSI Drive	80
<b>Figure 4-12</b>	CD-ROM Icon	81
<b>Figure 4-13</b>	Connecting the Serial Cable to the Serial Port on the Indigo Chassis	84
<b>Figure 6-1</b>	Okay to Power Off Notifier	118
<b>Figure 6-2</b>	Pressing the Reset Button	119
<b>Figure 6-3</b>	Starting Up the System Notifier	119
<b>Figure 6-4</b>	Confidence Tests Form	121
<b>Figure 6-5</b>	Audio Confidence Test Form	122
<b>Figure 6-6</b>	Keyboard Test	125
<b>Figure 6-7</b>	Pressing the Reset Button	129
<b>Figure 6-8</b>	System Startup Notifier	129
<b>Figure 6-9</b>	System Recovery Menu	130

<b>Figure 6-10</b>	Media Request Notifier	130
<b>Figure 6-11</b>	Replaceable Indigo Parts	134
<b>Figure 6-12</b>	The Toolchests	136
<b>Figure 6-13</b>	The Toolchests	136
<b>Figure 6-14</b>	Removing the Plastic Cover of the Indigo Chassis	137
<b>Figure 6-15</b>	Opening the Front Metal Panel	138
<b>Figure 6-16</b>	Removing the Graphics Board From the Indigo Chassis	138
<b>Figure 6-17</b>	Installing the Graphics Board	139
<b>Figure 6-18</b>	Tilting the Metal Panel Up to the Indigo	140
<b>Figure 6-19</b>	Replacing the Front Plastic Cover	141
<b>Figure 6-20</b>	The Toolchests	142
<b>Figure 6-21</b>	Removing the Plastic Cover From the Indigo Chassis	142
<b>Figure 6-22</b>	Opening the Front Metal Panel	143
<b>Figure 6-23</b>	Removing the CPU Board From the Indigo Chassis	144
<b>Figure 6-24</b>	Removing the CPU Module	146
<b>Figure 6-25</b>	Installing the CPU Module	147
<b>Figure 6-26</b>	Installing the CPU Board	148
<b>Figure 6-27</b>	Tilting the Metal Panel Up to the Chassis	149
<b>Figure 6-28</b>	Replacing the Front Plastic Cover	150
<b>Figure 6-29</b>	The Toolchests	151
<b>Figure 6-30</b>	Removing the Plastic Cover of the Indigo Chassis	152
<b>Figure 6-31</b>	Locating the Power Supply	153
<b>Figure 6-32</b>	Screw that Secures the Power Supply	154
<b>Figure 6-33</b>	The Toolchests	157
<b>Figure 6-34</b>	SCSI Connector on the Back of the Chassis	158
<b>Figure 6-35</b>	Turning off the Power Switch	159
<b>Figure 6-36</b>	Removing the Front Plastic Cover of the Indigo Chassis	160
<b>Figure 7-1</b>	Basic Parameters of VDT Workstation Adjustment (Adapted From ANSI/HFS 100-1988)	168
<b>Figure 7-2</b>	VCCI Class 2 Statement for Japan	175
<b>Figure 7-3</b>	VCCI Class 1 Statement for Japan	176

<b>Figure A-1</b>	Serial Port Pinout Assignments	181
<b>Figure A-2</b>	Serial Port Pinout Assignments	182
<b>Figure A-3</b>	Parallel Port Pinout Assignments	182
<b>Figure A-4</b>	Ethernet AUI Port Pinout Assignments	184
<b>Figure A-5</b>	Keyboard Port Pinout Assignments	185
<b>Figure A-6</b>	SCSI Port Pinout Assignments	186



---

## List of Tables

<b>Table 4-1</b>	Cable Connector Pinout Assignments for the Printer/Modem/Dumb Terminal Serial Cable	86
<b>Table 4-2</b>	Cable Connector Pinout Assignments for the Modem Cable	87
<b>Table 4-3</b>	Cable Connector Pinout Assignments for the Adapter Cable	88
<b>Table 4-4</b>	Cable Connector Pinout Assignments for the PC Adapter Cable	89
<b>Table 6-1</b>	Troubleshooting Symptoms and Probable Causes	112
<b>Table 7-1</b>	ANSI/HFS 100-1988 Guidelines for VDT Workplace Adjustment	167
<b>Table 7-2</b>	Workstation Adjustments Preferred by CAD Users	169
<b>Table A-1</b>	4D Compatible Pin Assignments (RS-232)	181
<b>Table A-2</b>	Macintosh SE Compatible Pin Assignments (RS-422)	182
<b>Table A-3</b>	Parallel Port (25-pin DSUB Connector)	182
<b>Table A-4</b>	Ethernet AUI Port (Thicknet)	184
<b>Table A-5</b>	Keyboard Port (6-pin MINIDIN on the keyboard)	185
<b>Table A-6</b>	SCSI Port	186
<b>Table A-7</b>	Audio Ports	188





## **Introduction**

This chapter explains where to find the information you need to set up and use your IRIS Indigo workstation. It explains when to use this manual, and when to use the online documentation and help.



## Introduction

Welcome to the IRIS Indigo®! The IRIS Indigo Owner's Guide is your complete guide to installing, diagnosing, and repairing your IRIS Indigo workstation. Specifically, it tells you how to:

- set up your IRIS Indigo workstation and turn it on
- install and remove SIMMs
- install peripherals
- install and remove software
- diagnose hardware problems
- replace faulty parts
- correctly maintain your workstation

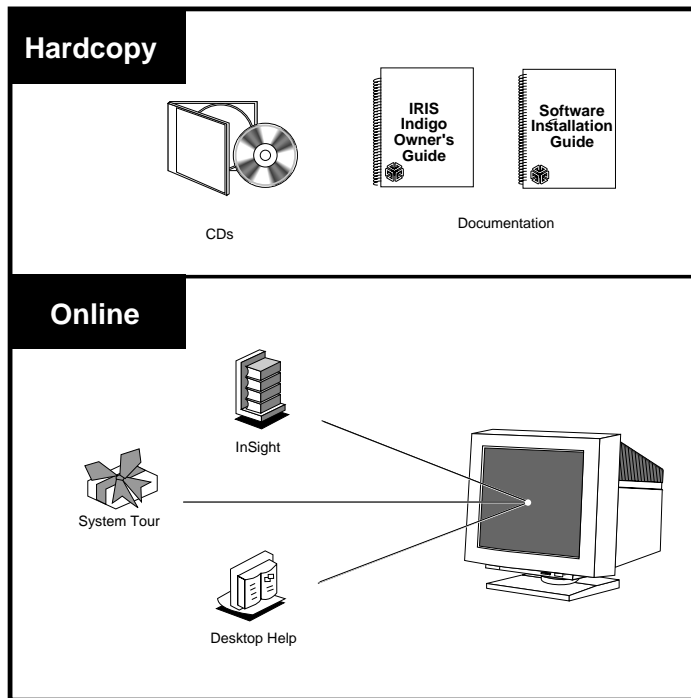
Refer to this guide to set up the system, install hardware options, or find a solution when you suspect there is a hardware problem. Basic information on installing software is also included. For a complete reference on installing software, refer to the *IRIS Software Installation Guide*.

The system and all the procedures in this guide are designed so that you may maintain and repair the system without the help of a trained technician. However, do not feel that you *must* work with the hardware yourself. You can always contact your maintenance provider to have an authorized technician work with the hardware instead.

## Finding the Information You Need

The Indigo workstation ships with the following sources of information, as shown in Figure 1-1:

- *Indigo Workstation Owner's Guide* and pictorial setup poster
- *IRIS Software Installation Guide*
- IRIX™ 5.2 *Release Notes* (on the compact disc)
- online *System Tour*
- *IRIS InSight™* online documentation and help



**Figure 1-1** Sources of Information for the Indigo Workstation

The following sections contain information on options that can help you get your workstation up and running and help you become productive as soon as possible.

## Indigo Workstation Owner's Guide



**Figure 1-2**  
Documentation

Refer to this manual (shown in Figure 1-2) to set up the system and install hardware options, or find solutions when you suspect there is a hardware problem. In addition, refer to it when you install or remove optional software. For complete software reference information, refer to the *IRIS Software Installation Guide*.

## IRIS Software Installation Guide

This guide explains how to install Silicon Graphics software and how to use the installation program, *inst*. Basic information on installing and removing software is contained in the *Indigo Workstation Owner's Guide*. The *IRIS Software Installation Guide* is a complete reference guide.

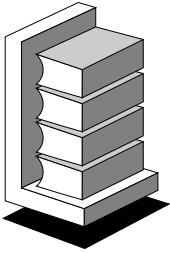
### Conventions

This documentation uses these conventions.

- References to other documents are in *italics*.
- References to other chapters and sections within this guide are in quotation marks.
- Names of buttons are in *italics*.
- Names of menu choices are in quotation marks.
- Numbered sentences are steps you follow to complete a task. Below a step, sentences preceded by a box describe in detail how to do the step. For example:
  1. Remove the front panel.
    - Press down on the two tabs on the top of the panel.
    - Pull the panel away from the Indigo chassis.

## IRIS InSight Online Documentation and Help

The online documentation package is called IRIS InSight. The InSight icon is shown in Figure 1-3.



**Figure 1-3**  
IRIS InSight Icon

To view the manuals, go to the Help toolchest and choose “On-line Books.” It includes the following end-user manuals:

- *Document Catalog*—Lists all manuals available to purchase in hardcopy.
- *IRIS Essentials*—Includes step-by-step instructions for using your system’s Indigo Magic environment to perform tasks such as running applications, finding files, printing files, and so on.
- *Personal System Administration Guide*—Explains how to manage your system: create login accounts, set up network connections, do backups, and so on.
- *IRIS Utilities Guide*—Describes how to use the Desktop tools, such as the basic text editor *jot*.
- *ImageVision Tools User’s Guide*—Describes how to use the ImageVision tools to scan, lay out, and edit images.
- *Media Tools User’s Guide*—Describes how to use the media tools such as Capture, Sound Editor, and Movie Maker. *Media Control Panels User’s Guide*—Describes how to use the Audio and Video Control Panels.
- *IRIS Showcase™ User’s Guide* —Describes how to use the integrated drawing and presentation program.

The above manuals are available online only. However, you can print the sections and chapters you need.

IRIS InSight includes the following online administrator manuals.

- *Advanced Site and Server Administration Guide*
- *NetLS™ (Network License System) Administration Guide*

You will also see the following administrator manuals, if you purchased them.

- *NFS® (Network File System) Administration Guide*
- *NIS (Network Information Service) Administration Guide*

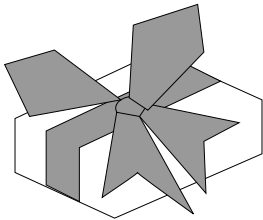
Printed versions of the manuals listed above, the *Diskless Workstation Administration Guide*, and other manuals are available in a System Administrator's Kit, M4-ADMN. To buy the kit, in the U.S. or Canada call SGI Express at 1-800-800-SGI1 (7441), extension 4650. Outside these areas, contact your local sales office or distributor.

To see what other printed manuals are available to purchase, open the "Document Catalog" in IRIS InSight.

## System Tour

The online System Tour introduces you to the features and functionality of the Silicon Graphics Indigo Magic User Environment. This environment combines a unique desktop management system with digital media tools in one "Media User Interface" that uses audio, video, and graphics.

Additionally, the System Tour teaches you how to use many of the tools available in the environment. To view the System Tour, double-click the System Tour icon (shown in Figure 1-4) on the desktop.



**Figure 1-4**  
System Tour Icon

## Where to Go from Here

**To set up your IRIS Indigo workstation**, go to Chapter 2, “Getting Started.” This chapter tells you how to choose a site, put all the pieces together, turn the system on, and set up your login account and network connection software.

**To install extra SIMMs**, go to Chapter 3, “Installing Memory.”

**To install peripherals**, go to Chapter 4, “Installing Peripherals.” This chapter tells you how to install internal drives and external drives, serial devices, and audio peripherals. You’ll also learn which modems, printers, and other cables you can use with your IRIS Indigo workstation.

**To install Silicon Graphics software**, go to Chapter 5, “Installing and Removing Software.”

**If you have a problem** while powering on or using your IRIS Indigo, go to Chapter 6, “Troubleshooting.”

For information on **safety, maintenance, and some tips on making your work environment comfortable**, see Chapter 7, “Safety, Maintenance, and Regulatory Information.”

In addition to this manual, the Indigo workstation ships with an online documentation package called IRIS InSight. To open IRIS InSight, choose “On-line Books” from the Help toolchest.



## **Getting Started**

This chapter explains how to connect the parts of your IRIS Indigo workstation, turn the system on, log in, and set yourself up on a network. It also explains how to use the Indigo Magic User Environment.



## Getting Started

This chapter tells you how to set up your IRIS Indigo workstation. It includes instructions on:

- selecting a site
- unpacking the pieces
- putting all the pieces together
- turning on your system
- creating your login account
- setting up your network software
- shutting down and turning off your system
- locking your workstation

If you've already set up your IRIS Indigo workstation and want to learn how to use the IRIX system software, go to "Using the Indigo Magic User Environment" on page 30.

If you want to mechanically secure your workstation, follow the instructions in "Locking Your IRIS Indigo Workstation" on page 36 at the end of this chapter.

## Selecting a Site

The IRIS Indigo workstation is designed to fit easily into your office. Its fan is quiet, and the system is small enough to fit under or on your desk, or on a bookshelf. Find a convenient site using these suggestions:

- Place the workstation and the monitor within 6 feet of each other; you'll connect them with cables that are 10 feet long.
- Place IRIS Indigo within 8 feet of a standard three-prong (grounded) electrical outlet.
- Do not place the workstation in a small, enclosed area, such as a closet, as it may overheat. It is important not to block the front, side, or rear vents.
- Do not drape anything, such as a jacket or blanket, over IRIS Indigo.

## Unpacking and Setting Up the IRIS Indigo Workstation

Your IRIS Indigo workstation came to you with the pieces shown in Figure 2-3. If you ordered extra memory or internal drives, they will be in separate boxes.

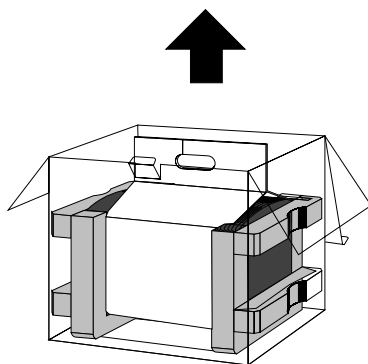
Follow these steps to unpack your system:

1. Unpack the workstation and its parts.

The first item in the main IRIS Indigo shipping container is a fold-out poster with pictorial instructions on how to unpack and set up the system. You can use the poster to set up your workstation, or, if you prefer, follow the step-by-step instructions below.

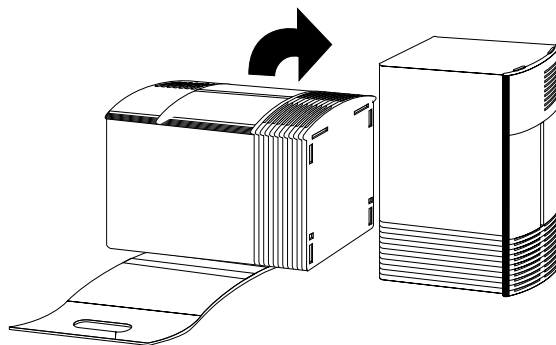
- Lift both trays out of the shipping container and set them aside.

- You'll find the workstation and keyboard in the bottom of the shipping container. The chassis has a sling for lifting it out, as shown in Figure 2-1.
- Grasp the handles of the sling and pull the chassis straight out of the shipping container, as shown in Figure 2-1. Be sure to use your knees to lift, and keep your back straight.



**Figure 2-1** Lifting the IRIS Indigo Chassis Out of the Box

- Set the chassis down near the site you selected, then tip the chassis upright, as shown in Figure 2-2.



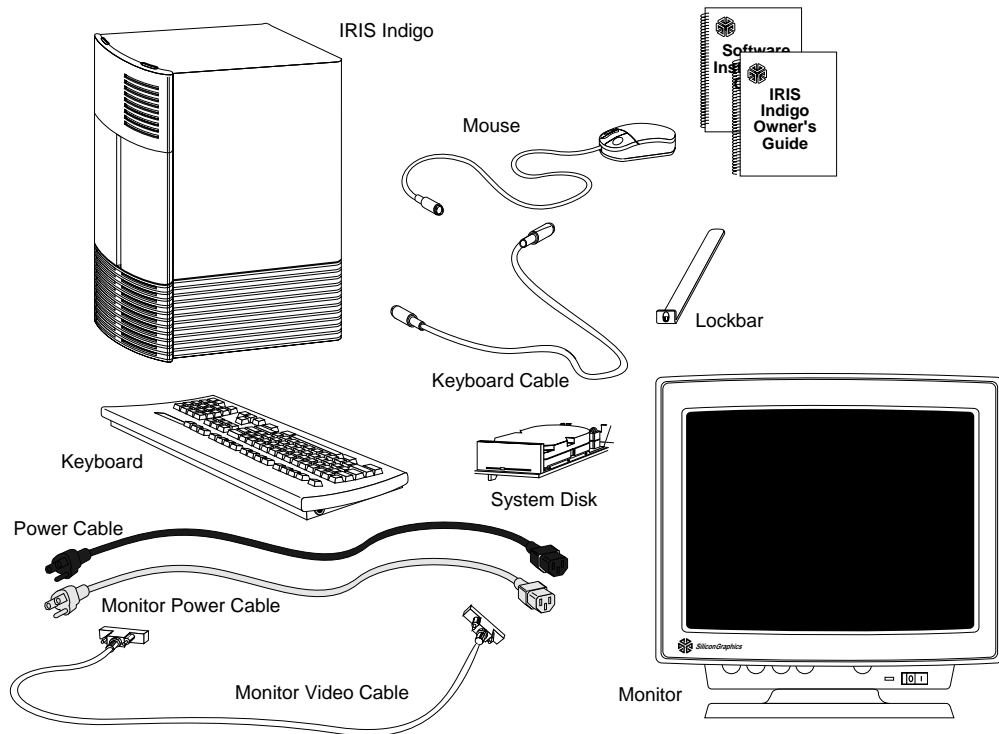
**Figure 2-2** Tipping the IRIS Indigo Chassis Upright

- Lift the keyboard out of the shipping container.

2. Unpack the monitor from the monitor box.

**Note:** The monitor is very heavy. Have someone help you lift it out of the box.

Make sure you have all the parts shown in Figure 2-3.



**Figure 2-3** The IRIS Indigo Parts

## About the CD Software Media

You received one or more compact discs (CDs) with your workstation. The CDs include optional software that you might find useful, and a copy of the operating system and software installation tools that are already on your system disk. You don't need the compact discs to set up and use your system. Store them in a safe and convenient place so you can find them if you need to install new software, or if the system fails.

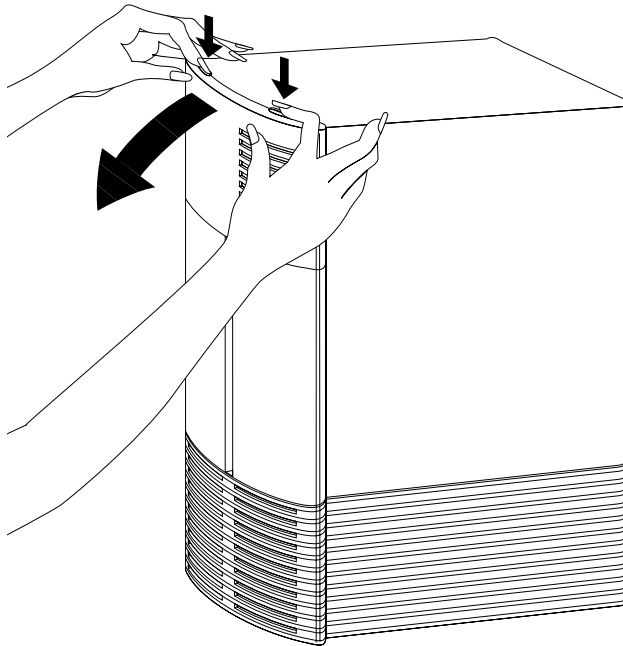
For more information on installing software, refer to Chapter 5, "Installing and Removing Software."

## Putting the Pieces Together

To put your IRIS Indigo workstation together, you must install the system disk drive and any other drives into the chassis before connecting the monitor, keyboard, and mouse. Finally, after you've connected all the cables and installed the drives, you must plug the workstation in and turn it on.

Place the monitor and the IRIS Indigo chassis near the site you selected. Then follow these steps:

1. Remove the front plastic cover of the chassis.
  - Face the front of the chassis.  
Two tabs on top of the front cover hold it in place.
  - Press down on the tabs and pull the cover away, as shown in Figure 2-4.



**Figure 2-4** Removing the Front Cover of the IRIS Indigo Chassis

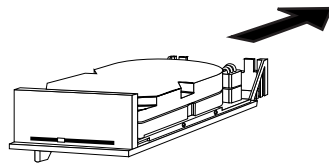


## 2. Install the system disk.

The system disk contains the operating system software that makes IRIS Indigo run. It's labelled "SYSTEM DISK" and has a black front panel with a green light.

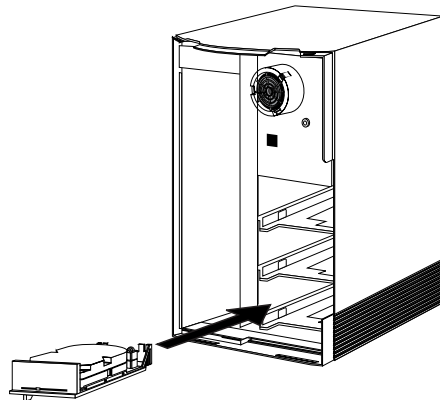
**Note:** If you plan to run the workstation as a diskless system, you did not receive a system disk. Skip ahead to step 3.

- Pick up the drive so the green lever is facing you and is on the bottom of the drive, as shown in Figure 2-5.



**Figure 2-5** Orientation of the Drive

- Slide the drive into the slot, making sure that the guides underneath the drive line up with the guides in the chassis, as shown in Figure 2-6. The green lever underneath the drive moves to the right as you do this.
- Push the drive in firmly and then push the green lever underneath the drive all the way to the right. The green lever below the drive should line up with the green line on the front of the drive, and you should hear the lever click into place.



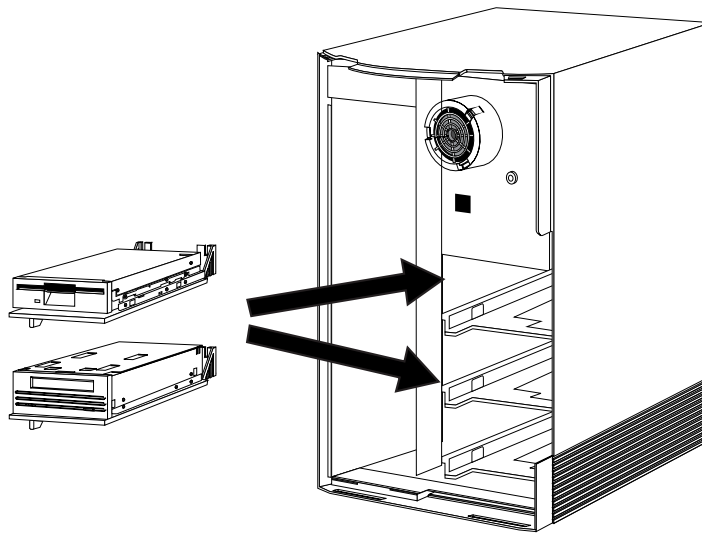
**Figure 2-6** Installing the System Disk

If the green lever does not slide to the right as you push in the drive, the drive may not be lined up with the guides in the chassis. Take the drive out and reinstall it, making sure the guides on the bottom of the drive line up with the guides in the chassis. Try pulling on the drive. The drive should not come out when you pull it.

3. Install any option drives you received.

An option drive is any drive other than the system disk. Option drives include floppy disk drives, secondary hard disk drives, or DAT drives.

- Install option drives the same way you installed the system disk, but install them in the top or middle slot, as shown in Figure 2-7.

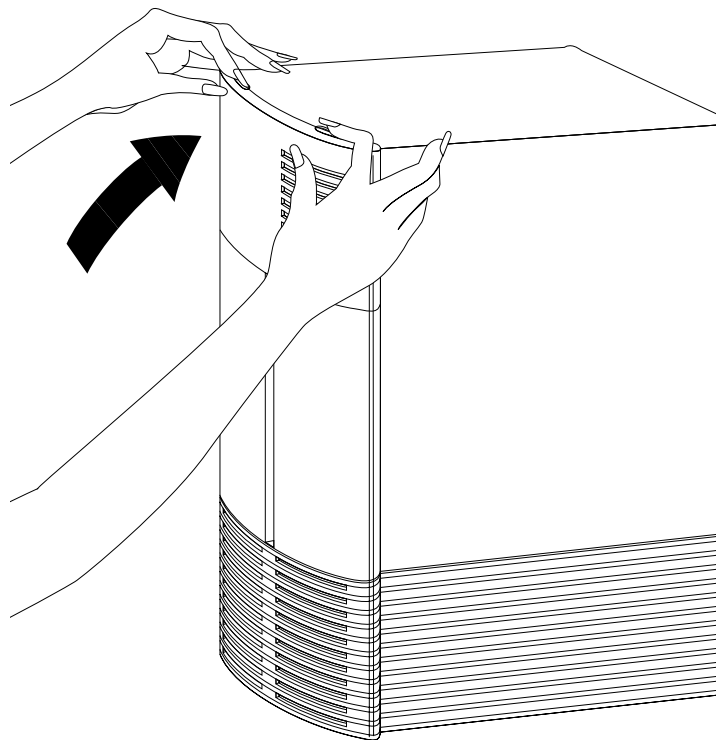


**Figure 2-7** Installing the Option Drives in the Top or Middle Slot

If you installed a drive in the top drive slot, you need to remove the top plastic blanking panel. If you installed a drive in the middle slot, remove the bottom black blanking panel.

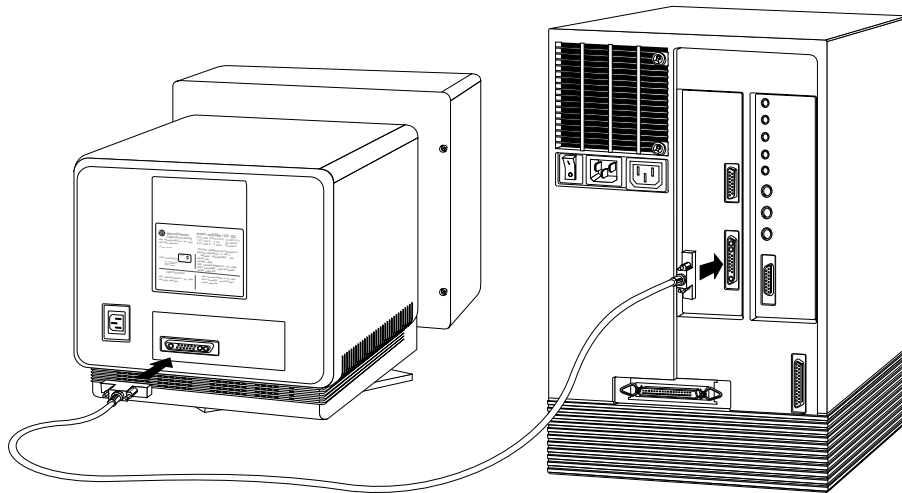
- Pick up the plastic front cover of IRIS Indigo and open the door on the front of the cover.
- Push the black blanking panel out from the back of the cover. The panel falls out. Save the panel in case you ever remove and do not replace the drive.

4. Replace the front cover of the workstation.
  - Place the bottom of the front cover in the guides on the bottom of the chassis.
  - Tilt the cover up to the chassis, as shown in Figure 2-8. The cover snaps in place.



**Figure 2-8** Replacing the Front Cover of the IRIS Indigo Workstation

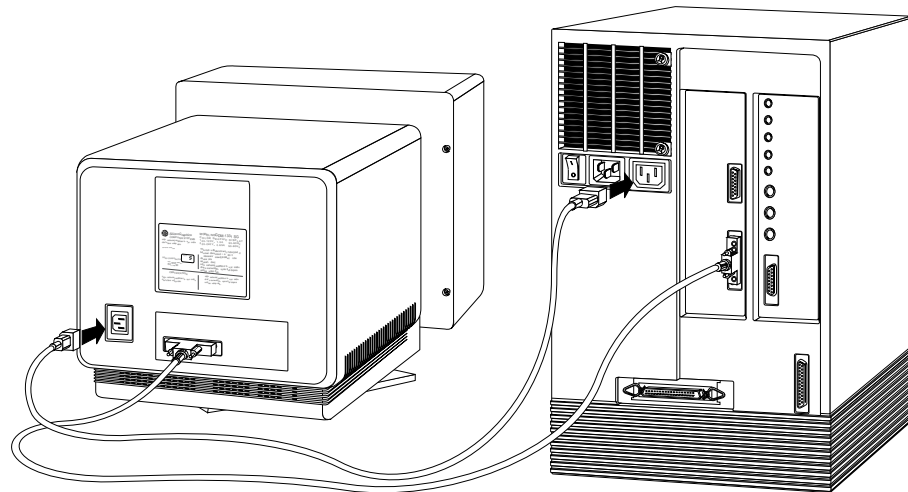
5. Connect the monitor video cable to the monitor and the IRIS Indigo chassis.
  - Pick up the monitor video cable. It is thick and beige, with large connectors on both ends.
  - Connect one end of the cable to the connector on the back of the monitor, as shown in Figure 2-9. Screw in the thumbscrews on both sides of the connector.
  - Connect the other end of the cable to the connector with the large monitor icon on the back of the chassis, as shown in Figure 2-9. Screw in the thumbscrews on both sides of the connector.



**Figure 2-9** Connecting the Monitor Video Cable to the IRIS Indigo Chassis

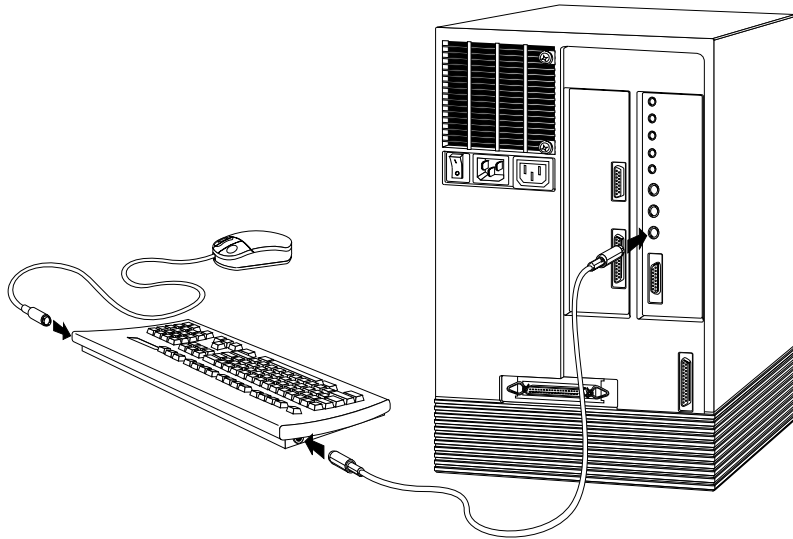
6. Connect the monitor power cable to the monitor and the IRIS Indigo chassis.
  - Pick up the monitor power cable. It is thick and beige and has a male and female end.
  - Connect the female end of the cable to the power connector on the back of the monitor.
  - Connect the male end of the cable to the monitor power connector on the back of the chassis, as shown in Figure 2-10.

**Note:** For voltage and frequency requirements, see the manual that came with your monitor.



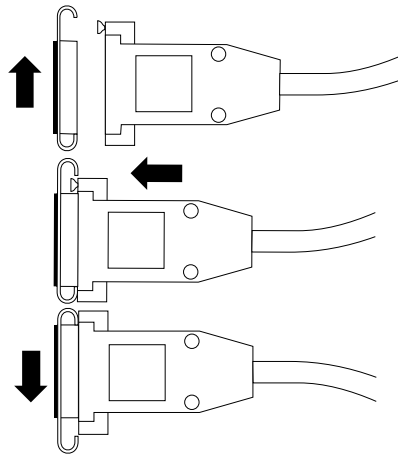
**Figure 2-10** Connecting the Monitor to the Workstation with the Monitor Power Cable

7. Connect the mouse to the keyboard.
  - Connect the mouse cable to the connector on either side of the keyboard, as shown in Figure 2-11.
8. Connect the keyboard to the IRIS Indigo chassis.
  - Pick up the keyboard cable.
  - Connect one end of the keyboard cable to the remaining connector on the keyboard, as shown in Figure 2-11.
  - Connect the other end of the cable to the connector designated by the keyboard icon on the back of the workstation, as shown in Figure 2-11.



**Figure 2-11** Connecting the Keyboard to the IRIS Indigo Chassis

9. If you are using a network, attach the Ethernet cable, as shown in Figure 2-12.
  - Get a cable (drop line) from your network administrator that reaches the back of your workstation.
  - Make sure the sliding bracket is pushed all the way up.
  - Plug the cable into the port labelled Ethernet.
  - Slide down the bracket to hold it in place.
  - Route the cable through the U-shaped bracket.



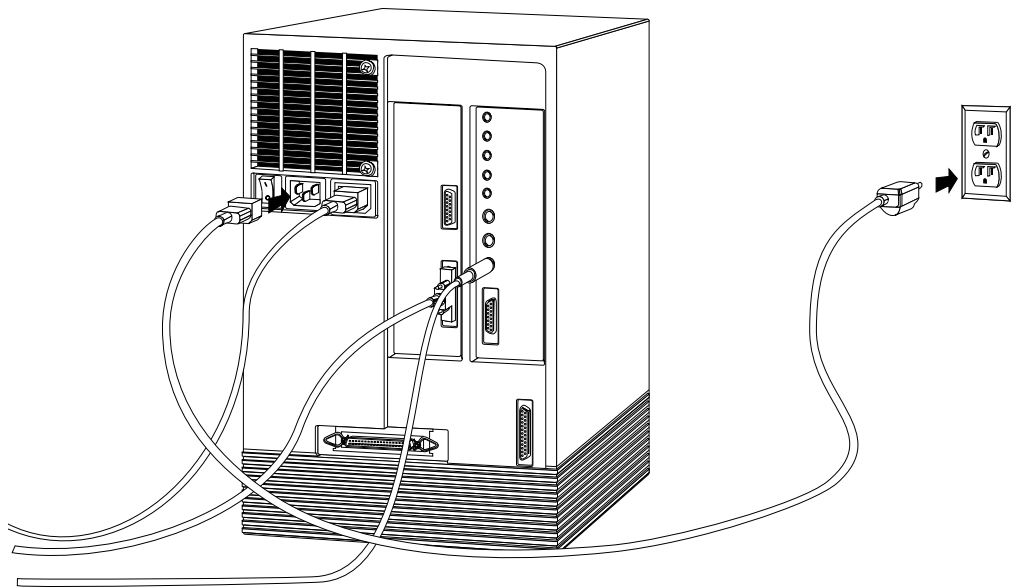
**Figure 2-12** Connecting the Ethernet Cable

10. Connect the system power cable, as shown in Figure 2-13.

The system power cable is black.

**Caution:** Make sure the power switch is OFF before plugging in your workstation. The power switch is off when the “O” is pressed down.

- Connect the female end of the power cable to the power connector on the back of the chassis.
- Plug the male end into a three-prong grounded electrical outlet, as shown in Figure 2-13.



**Figure 2-13** Connecting the Power Cable

Congratulations! You have finished connecting the IRIS Indigo parts and are ready to power up the system.



## Turning On the IRIS Indigo Workstation

Once you've connected all the pieces, as described in the last section, power up IRIS Indigo by following these steps:

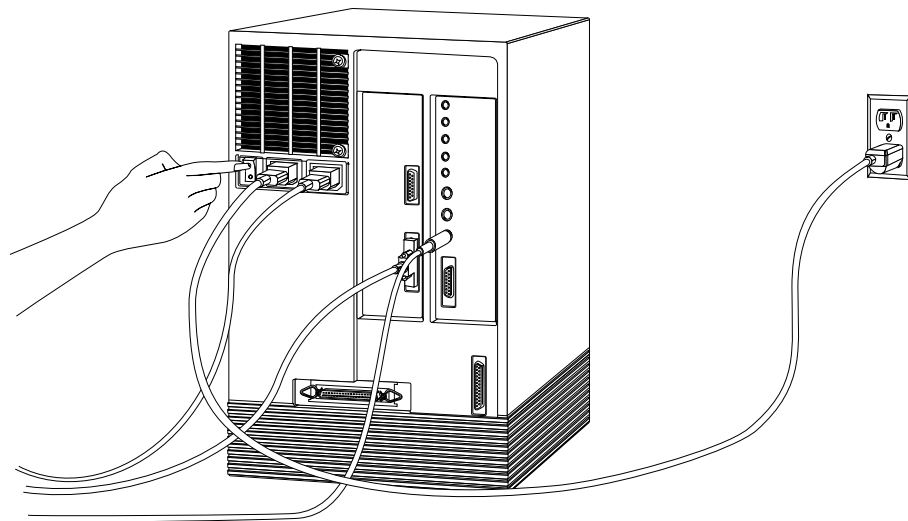
1. Turn on the power.

- Turn on the monitor's power switch.

The monitor's power switch is on the front of the monitor in the lower right corner. The LED next to the switch lights up when you turn on the system's power.

- Turn on the system's power switch.

The workstation's power switch is on the back of the chassis, as shown in Figure 2-14.



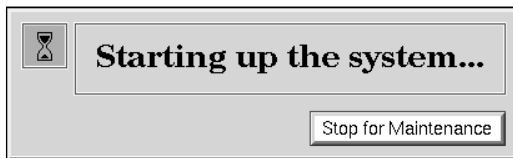
**Figure 2-14** Turning on the Power Switch

When you power on your system, you hear the boot “tune” and the LED on the front of the machine turns on. While the system is running power-on diagnostics, you see an orange light. Then you see the notifier shown in Figure 2-15.



**Figure 2-15** Running the Power-On Diagnostics Notifier

If the system passes all of the diagnostics tests, the light turns green, the system continues booting, and you see the startup notifier shown in Figure 2-16.



**Figure 2-16** System Startup Notifier

After a few seconds, you see the notifier shown in Figure 2-17.



**Figure 2-17** System is Coming Up Notifier

If you do not hear the boot tune or the LED does not turn green, you may have a problem with IRIS Indigo. Go to Chapter 6, “Troubleshooting,” to run some tests.

The system now boots the operating system and then you see the login screen.

## Logging In to the Workstation

Welcome to your new system. Once you create a user login account for yourself and set up networking software, your system has the basic information it needs to create a personal work area for you and to let you communicate with other systems and people on your network.

After the system boots, you see the login screen, as shown in Figure 2-18.

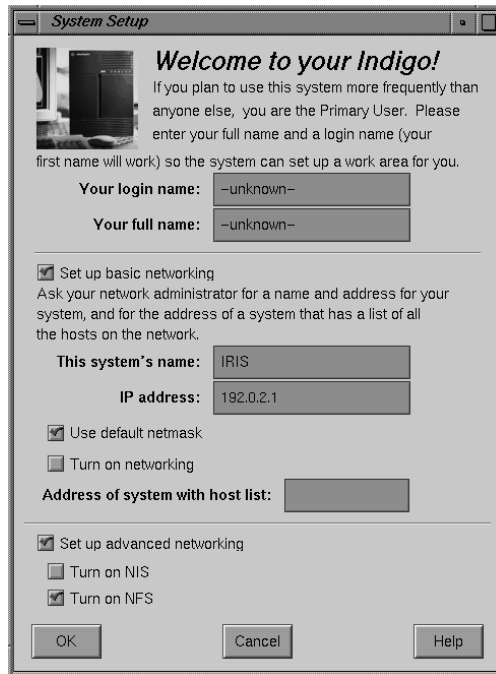


**Figure 2-18** The Login Screen

If you already have a login account, double-click the icon that's labeled with your login name. If you do not have a login account, double-click the *EZsetup* icon and go to the next section, "Creating Your Login Account and Network Connection."

## Creating Your Login Account and Network Connection

After double-clicking the *EZsetup* icon, you see the EZsetup screen shown in Figure 2-19.



**Figure 2-19** The EZsetup Screen

Setting up your login account through EZsetup gives you administrative (root) privileges.

- If you plan to connect to an existing network, contact your network administrator for a login name for yourself, a hostname and IP address for your system, and the IP address of another system on the network that has a master list of all systems on the network. Then go to Step 1 below.
- If you don't have the network information, you can complete the *login name* and *full name* fields, and click the *OK* button to set up your login account. Your network administrator can set up your network connection later. Or you can set it up yourself by choosing "System Manager" from the System toolchest and double-clicking the *Network Setup* icon.

For more information on setting yourself up on a network, log in and select “On-line Books” from the Help toolchest. Then select the *Personal System Administration Guide* and look in Chapter 3, “Setting up Network, Peripheral, and Printer Connections.”

Follow the steps below to set up your login account and network connection.

**Note:** If you change your mind at any time while entering the information, click the *Cancel* button. The system makes no changes, logs you out of the EZsetup account, and shows the login screen again.

1. Type your login name (usually a shorter version of your name; for example, your first name or initials) in the field labeled *Your login name*.
2. Type your full name in the field labeled *Your full name*.
3. If your system is already physically connected to a network, and you have the necessary network information from your network administrator, go on to step 4. If your system is not connected to a network, skip to step 5.
4. Move the cursor over the box next to *Set up basic networking* and click the mouse button. Enter the network information that your network administrator provided.
  - Type the hostname in the field labeled *This system's name*.
  - Type the IP address in the IP address field. Make sure it consists of two to four numbers, separated by periods, such as 192.0.2.2
  - The box next to *Use default netmask* is checked by default. Do not remove the check mark unless your network administrator wants to specify a custom netmask.
  - Click the box next to *Turn on networking*. The system will not turn on the networking software until you click *OK*.
  - In the field labeled *Address of system with host list*, type the IP address of a system on the network that contains a master list of all other systems on the network.
5. When all the information is correct, click the *OK* button.

The system sets up the software, logs you out of the EZsetup account, and shows the login screen displaying people who have accounts on the system.
6. When you see the login screen, log in to your new account by double-clicking the icon that's labeled with your login name.

Now that you have a login account, go to the next section to learn about the desktop management system called the Indigo Magic User Environment.

## Using the Indigo Magic User Environment

Once you're logged in, you are in the Indigo Magic User Environment. Before learning about the environment, however, you may be interested in learning a few tips and shortcuts for using the mouse.

### Mouse Techniques and Shortcuts

To get started, you need to know a few basic techniques for using the mouse and working with icons.

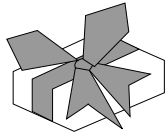
- To *select an icon*, place the cursor over the icon and then click the left mouse button. Icons turn yellow when they are selected.
- To *select several icons*, press the <shift> key while selecting the icons, or press the left mouse button in the background and drag the mouse. A box is created as you drag the mouse. All icons touched by the box you create are selected.
- To *open an icon*, place the cursor over the icon and then double-click the left mouse button. When you open an application icon, you run the application; when you open a folder icon, you open a window that shows the contents of that directory.
- To *drag and drop* icons, place the cursor on an icon, press the left mouse button, and move the mouse. Release the mouse button to drop the icon.

This drag-and-drop technique lets you copy icons from one directory to another and launch applications with a particular file.

- To *display a pop-up menu that contains commands from the Selected menu*, place the cursor over a window and then press the right mouse button.

Now you are ready to use the desktop management system called the Indigo Magic User Environment.

Reading the following sections will give you a quick overview of the new environment and help you become productive rapidly.



**Figure 2-20**  
System Tour Icon

## System Tour

The fastest way to become familiar with the Indigo Magic User Environment is to look at the online System Tour. The tour introduces you to the features and functionality of the system and teaches you how to use many of the tools available in the environment.

To start the System Tour, double click the System Tour icon (shown in Figure 2-20) on the desktop.

## The Desktop and the Icons

When you log in, a collection of windows and icons (small pictures), called a *desk*, appears on your screen by default. Examples of icons are shown in Figure 2-21. If there are no items on your desk, contact your system administrator to see if the desktop has been disabled.



**Figure 2-21** Desktop Icons

The default desk, or working desk, contains:

- the console window
- the toolchests
- the *desktop* and the icons that appear on it

The screen background is called the *desktop*. It's a place for you to set frequently used icons so you have quick and easy access to them. In this way, the desktop is similar to an actual office desk. For example, on your desk you might have a telephone, a container of pens and pencils, and a stack of folders or notebooks related to the projects on which you're currently working. Other, less frequently used items are stashed away in desk drawers. Your online *desk* mimics this arrangement using icons.



**cdrom**

**Figure 2-22**  
CD Player Icon

By default, several icons (small pictures) appear on the desktop: a folder icon representing your home directory, a dumpster icon, and icons for peripherals you have installed.

The peripheral icons show the current state of the devices they represent. For example, if you place a music CD into the compact disc player, the icon changes to display a few musical notes. (See Figure 2-22.) When you double-click the icon, it opens CD Manager, a utility that lets you play and record from a compact disc.

### Console Window



**Console**

**Figure 2-23** The  
Minimized Console  
Window

The small box next to the stack of toolchests is the console window. It looks like a small box because it has been minimized. Many of the error messages that the system generates appear in this window. You can open it to its full size by clicking on it with the left mouse button.

Clicking on the console brings up the IRIX™ shell where you can type IRIX commands. For information on IRIX commands, from the Help toolchest, choose “On-line Books.” Select *IRIS Essentials* and look for “Using IRIX Commands.”

### The Toolchests



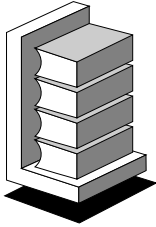
**Figure 2-24**  
The Toolchests

The stack of toolchests in the top left hand corner of the screen provides a listing of most of the system functions and programs. Under the System toolchest is the System Manager, which provides hardware information about your workstation. From the Help toolchest you can access the library of online documentation and online help.

To pop up a menu, move the cursor over a label on a toolchest, and then press the left or right mouse button.



## IRIS InSight and Online Help



**Figure 2-25**  
IRIS InSight Icon

The IRIS Indigo workstation includes IRIS InSight, a library of online documentation and extensive online help that is available from the desktop and from most Silicon Graphics application. From the desktop, you access the online help and documentation from the Help toolchest as follows:

- From the Help toolchest, choose “On-line Books” and the IRIS InSight Document Library appears. Once the IRIS InSight Document Library is open, you can type in a word or phrase and quickly find and open the books that contain the information you need. See the IRIS InSight online help for instructions.
- From the Help toolchest, choose “Desktop Help.” A listing of system-level help appears. Additionally, each application provides a Help button or Help menu so that you can get help on a particular application.

## Shutting Down and Turning Off IRIS Indigo

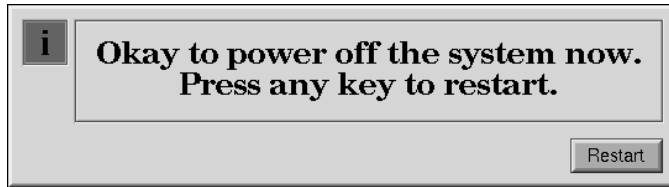


**Figure 2-26**  
The Toolchests

To shut down the operating system software, follow these steps:

1. Choose “System Shutdown” from the System menu in the toolchest. The Toolchest is shown in Figure 2-26.
2. Place the cursor over the word “System” in the toolchest in the upper left corner of your screen, as shown in Figure 2-26.
  - Press the left or right mouse button so that you see the menu.
  - Place the cursor over the words “System Shutdown” and click the mouse button.

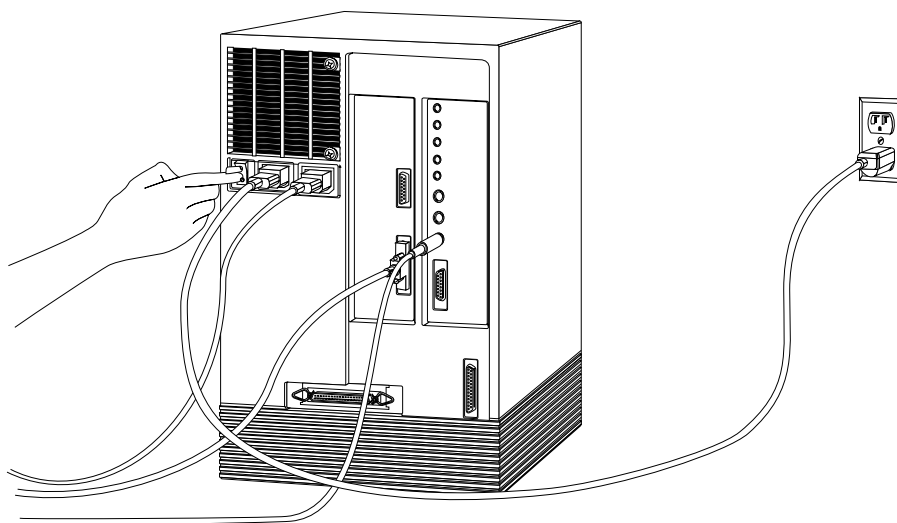
After a few seconds you see the notifier in Figure 2-27.



**Figure 2-27** Okay to Power Off Notifier

3. If you wish to shut down and restart the system without powering off, click the *Restart* button.

4. If you wish to power off the system, press and release the power button, as shown in Figure 2-28.

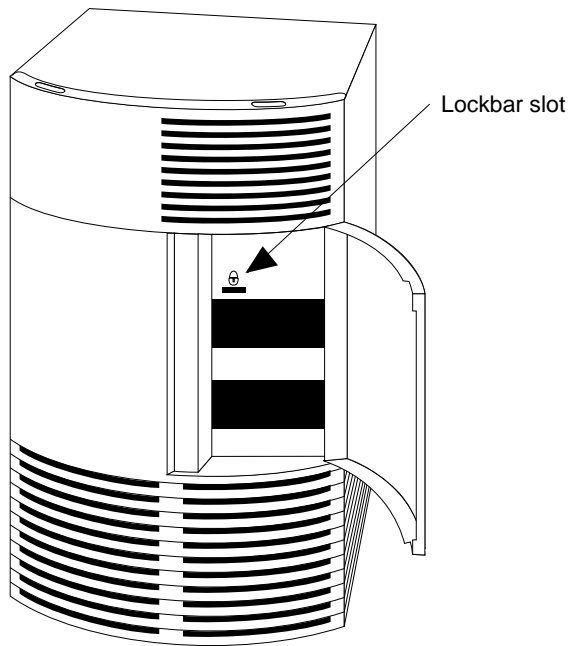


**Figure 2-28** Turning Off the Power Switch

## Locking Your IRIS Indigo Workstation

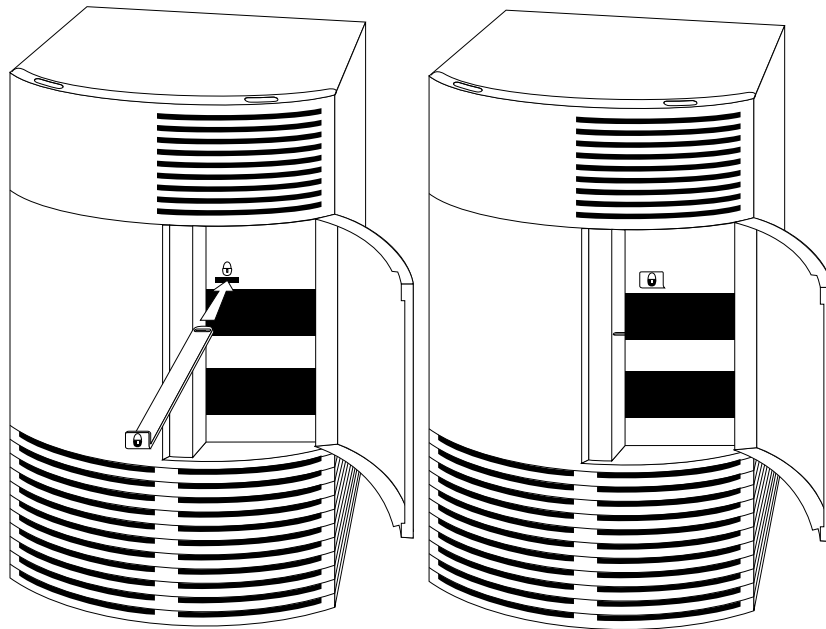
A lockbar came with your workstation. It is a long piece of metal that shows a lock icon on the end. To lock your workstation, follow these steps:

1. Open the front drive door.  
The drive door is on the front of the chassis. It swings out to the right.
2. Install the lockbar.
  - Locate the lockbar slot. It is labelled with a lock icon and is above the top drive slot, as shown in Figure 2-29.



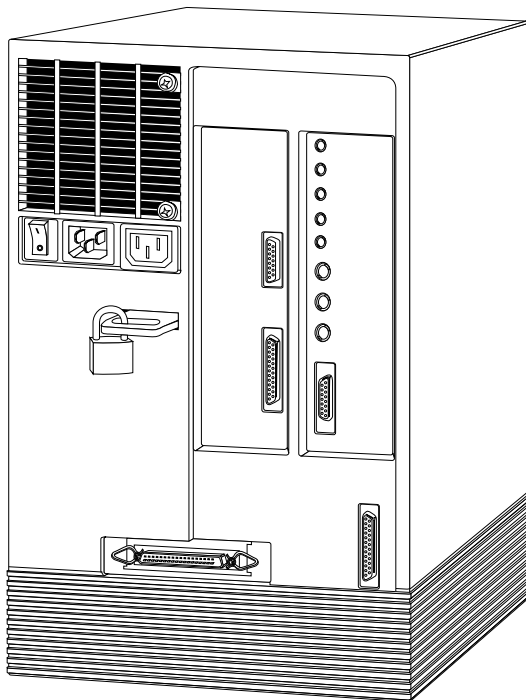
**Figure 2-29** Locating the Lockbar Slot on the Front of the IRIS Indigo Workstation

3. Hold the lockbar so the lock icon faces you and is upright, as shown in Figure 2-30. Slide the lockbar all the way into the slot.



**Figure 2-30** Sliding the Lockbar into the Slot in the Front of the Workstation

- The lockbar passes through the back of the workstation, revealing a hole for a lock. You can then attach a lock and a locking cable to the other end of the lockbar, as shown in Figure 2-31.



**Figure 2-31** Locking the IRIS Indigo Workstation

4. Close the drive door on the front of the chassis.

## **Installing Memory**

This chapter describes how to install SIMMs (Single Inline Memory Modules) in your IRIS Indigo workstation.





---

## Installing Memory

This chapter tells you how to work with single inline memory modules (SIMMs). You install SIMMs after you have set up the rest of your Indigo. If you haven't set up your IRIS Indigo workstation yet, go to Chapter 2, "Getting Started," for instructions. You may need to remove and replace SIMMs if diagnostic tests in Chapter 5, "Troubleshooting" report failures, or if you are upgrading the memory in your system.

**Caution:** SIMMs and the system's internal components are sensitive to static electricity. Handle the SIMMs carefully, and use the wrist strap to avoid the flow of static electricity.

### Adding SIMMs to the IRIS Indigo Workstation

Many customers order additional memory for their systems to increase the speed at which applications run. You may have received extra SIMMs either in the same box as your workstation or later in a separate package.

**Note:** The IRIS Indigo R3000<sup>®</sup> and IRIS Indigo R4000<sup>®</sup> family use different types of SIMMs. You cannot transfer SIMMs from one type of system to the other.

Carefully follow all steps in the following sections to shut down your system, install the SIMMs, and test to make sure they are installed and working properly.



**Figure 3-1**  
The Toolchests

## Shutting Down the System

To shut down the system, follow these steps:

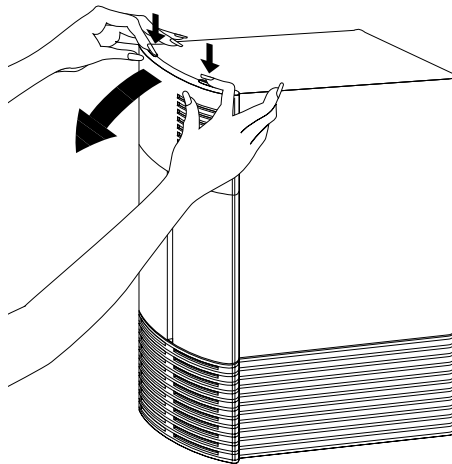
1. Shut down and turn off the system.
  - Choose “System Shutdown” from the System toolchest. The toolchests are shown in Figure 3-1.
  - Turn off the power switch on the back of the Indigo chassis.
2. Disconnect the cables from the back of the workstation.

Make sure to disconnect the black power cable.

## Removing the Covers and CPU Board

Once the system is shut down and all the cables are disconnected, follow these steps:

1. Remove the plastic front cover.
  - Face the front of the Indigo chassis.
  - Two tabs on top of the front cover hold it in place.
  - Press down on the tabs and pull the panel away from the chassis, as shown in Figure 3-2.



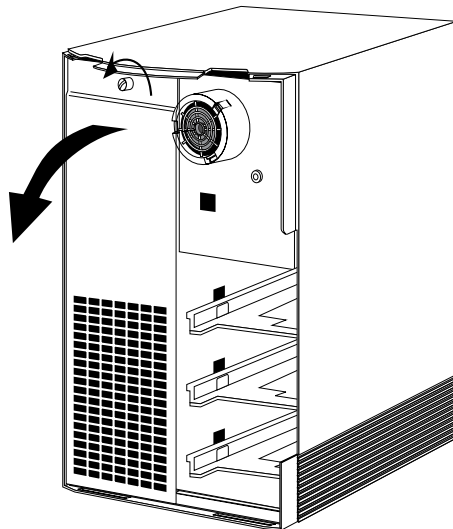
**Figure 3-2** Removing the Plastic Cover of the Indigo Chassis

**Caution:** The CPU board is extremely sensitive to static electricity; you must wear the wrist strap provided with the system while removing it. The wrist strap prevents the flow of static electricity, which could damage the board.

2. Ground yourself to the metal part of the chassis.
  - Put the wrist strap over your wrist, making sure it's tight against your arm. Then attach its alligator clip to a metal part of the chassis. The notch above the top drive slot works well.
3. Open the front metal panel.

A thumbscrew holds the metal panel in place.

  - Loosen the panel by unscrewing the thumbscrew, as shown in Figure 3-3.
  - You may need a screwdriver to loosen the screw.
  - Tilt the panel down until it rests on the flat surface.



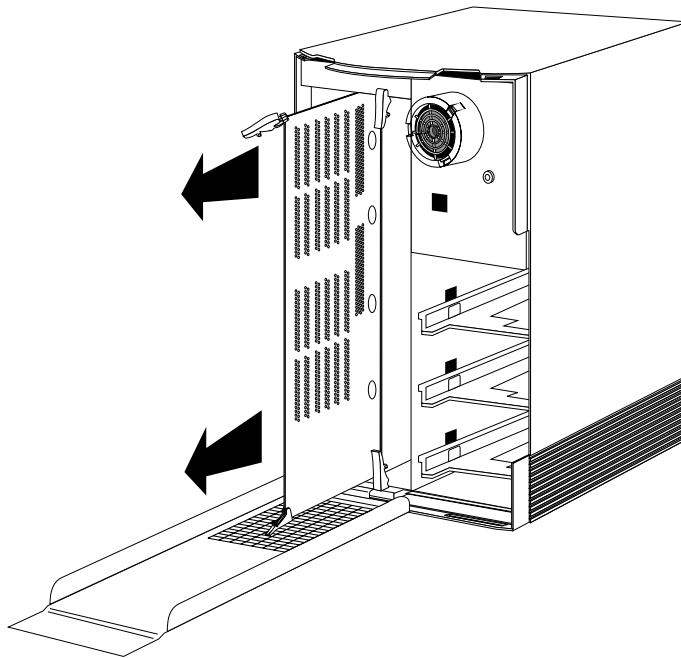
**Figure 3-3** Opening the Front Metal Panel

4. Remove the CPU board.

You see two boards inside the Indigo chassis; the left board is the CPU board and is labelled CPU.

Two levers hold the board in place.

- Pull the levers toward you to release the board. The board slides out of the chassis as you pull the levers, as shown in Figure 3-4.



**Figure 3-4** Removing the CPU Board From the Indigo Chassis

- Slide the board out of the slot and set it down on a flat, anti-static surface (such as a clean, dry desktop), so the side with the large chips on it faces up.

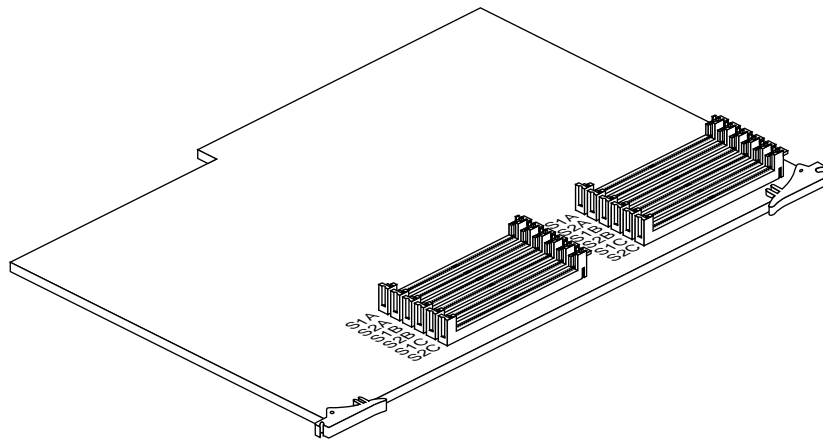
## Locating the SIMM Sockets

To locate the SIMM sockets, follow these steps:

1. Orient yourself to the CPU board so the SIMM sockets are closest to you and the connectors are facing away from you, as shown in Figure 3-5.
  - Ground yourself by removing the alligator clip from the chassis and attaching the clip to the CPU board. Attach the clip to the metal part with the connectors. Make sure the strap is tight around your wrist.
2. Locate the SIMM sockets.
  - Look for the SIMM sockets in the lower right corner of the board.

The sockets have room for up to 12 SIMMs.

The SIMM sockets are labelled in groups A, B, and C, as shown in Figure 3-5. Your system already has at least four SIMMs installed in the group labelled S1A, S2A, S3A, and S4A. (If you have an IRIS Indigo R3000, these sockets are labeled A1, A2, A3, and A4.)



**Figure 3-5** Locating the SIMM Sockets

You receive SIMMs in groups of four; each group contains 4 SIMMs of the same capacity. For example, you will have either four 2 MB SIMMs, or four 4 MB SIMMs, or four 8 MB SIMMs. You can install the SIMMs into any group (A, B, or C), as long as you install four of the same type into each group. You cannot mix 2 MB SIMMs and 4 MB SIMMs in the same group.

For example, if you received four 8 MB SIMMs, install them in sockets:

**S1B, S2B, S3B, and S4B (or B1, B2, B3, and B4 in an R3000)**

or

**S1C, S2C, S3C, and S4C (or C1, C2, C3, and C4 in an R3000)**

### **Installing the SIMMs**

You have one of two types of SIMMs—one type for an IRIS Indigo R3000 workstation, another type for the IRIS Indigo R4000 family of workstations.

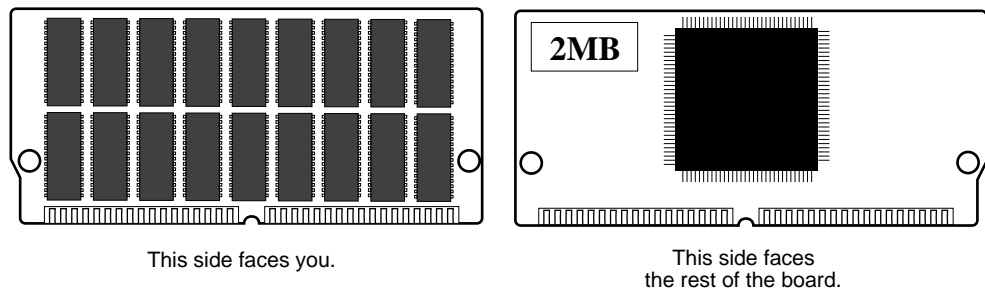
To install the SIMMs in IRIS Indigo R3000, follow the instructions below. To install the SIMMs in IRIS Indigo R4000 family workstation, see “Installing the SIMMs in an IRIS Indigo R4000 Family Workstation” on page 49.

### Installing the SIMMs in an IRIS Indigo R3000 Workstation

To install the SIMMs in IRIS Indigo R3000, remove the SIMMs from the anti-static bag and follow these steps:

1. Install the first SIMM.
  - Orient the CPU board, as shown in Figure 3-5.
  - The SIMMs have many small chips on one side, with one large chip on the other side.
  - Using both hands, grasp the top of the SIMM so the side with the small chips faces you, as shown in Figure 3-6.

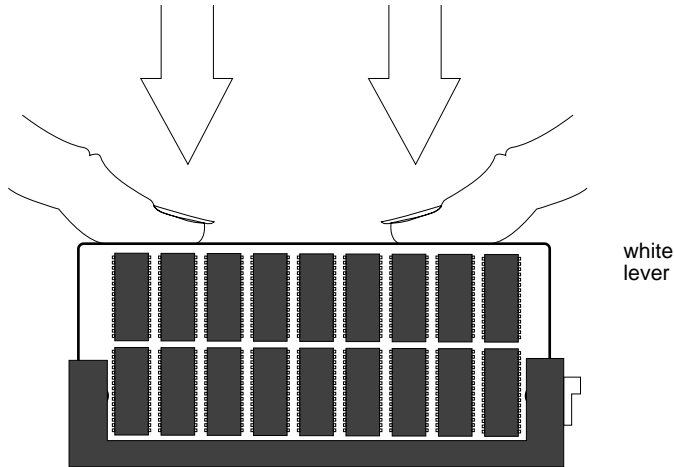
**Note:** Do not touch the gold edge of the SIMM.



**Figure 3-6** Orienting Yourself to the IRIS Indigo R3000 SIMM

- Put the gold edge of the SIMM into one of the sockets.

- Gently work the SIMM straight down into the socket by pressing across the top of the SIMM until the bottom edge of the SIMM touches the connectors on the socket, as shown in Figure 3-7.



**Figure 3-7** Pressing the SIMM Into the Socket

- Firmly press the SIMM into the socket until you hear it snap into place on both sides. This may require considerable pressure.
  - If the SIMM is installed correctly, you should see no space between the socket and the bottom row of small chips, and you should not be able to lift the white lever easily.
  - The white lever is for removing the SIMM. If you can lift it easily, the SIMM isn't in all the way. Press down on the top of the SIMM to push it all the way into the socket.
2. Install the other SIMMs.
  3. Visually check the tops of the SIMMs to make sure they are installed all the way. If a SIMM sticks up above the rest, push it farther into its socket.

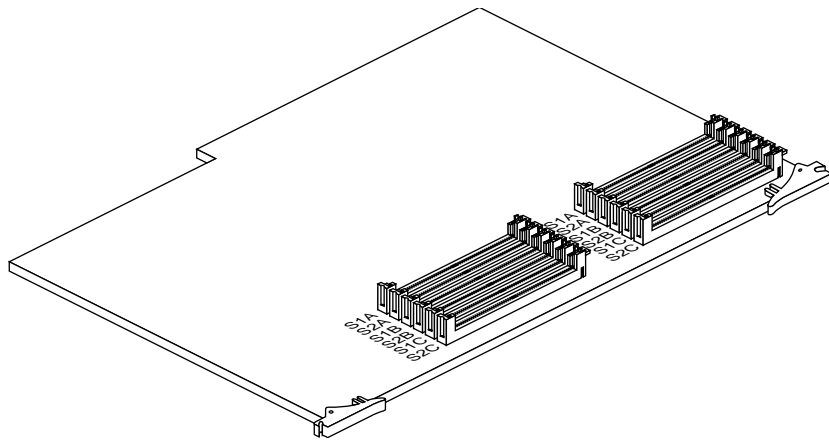
See “Replacing the CPU Board and Covers” on page 51 to complete the installation.



### Installing the SIMMs in an IRIS Indigo R4000 Family Workstation

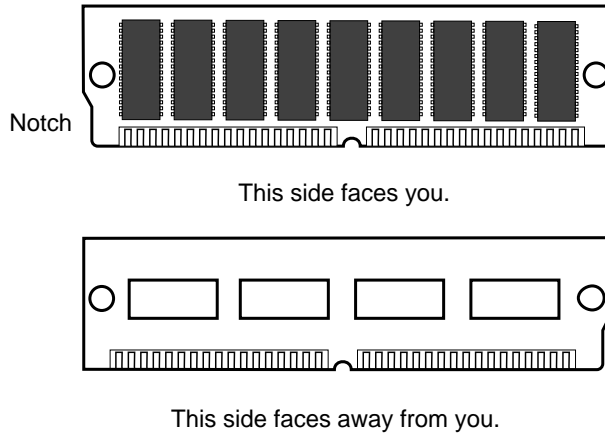
To install the SIMMs in IRIS Indigo R4000 family workstation, remove the SIMMs from the anti-static bag and follow these steps:

1. Install the first SIMM.
  - Orient yourself to the CPU board, as shown in Figure 3-8.



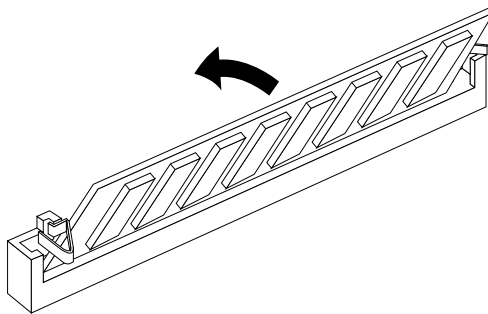
**Figure 3-8** Orienting Yourself to the CPU Board

- Using both hands, grasp the top of the SIMM so the notch in the bottom corner of the SIMM is on your left, as shown in Figure 3-9.



**Figure 3-9** Orienting Yourself to the IRIS Indigo R4000 family SIMM

- Tip the top of the SIMM toward you, and press the SIMM securely into the socket at a 45-degree angle to the board.
- Tilt the SIMM up into a vertical position, as shown in Figure 3-10.
- The SIMM is positioned correctly when the latches on both sides of the SIMM socket are hugging the edges of the SIMM. You will not hear a snapping sound when the SIMM is pushed into place.



**Figure 3-10** Tilting the SIMM Up to a Vertical Position

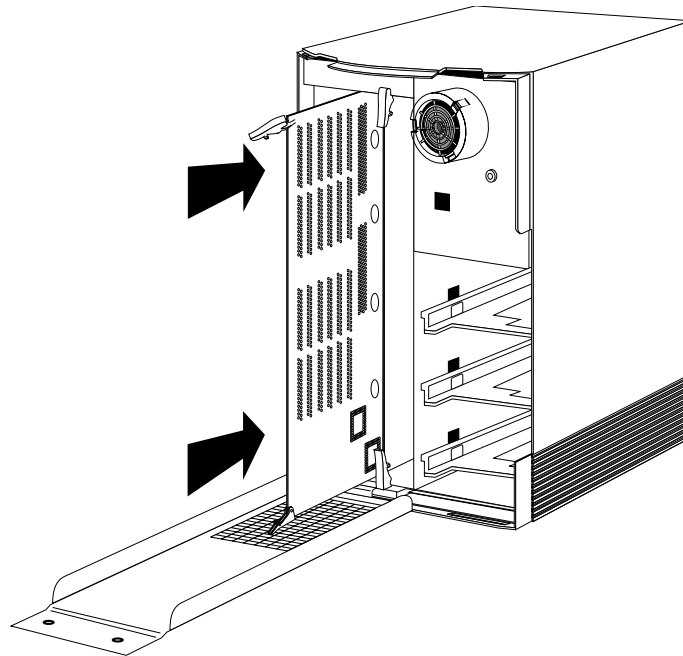
2. Install the other SIMMs.
3. Visually check the tops of the SIMMs to make sure they are installed all the way. If a SIMM is not sitting vertically, push it farther upward.

### Replacing the CPU Board and Covers

To replace the CPU board and all the covers, follow these steps:

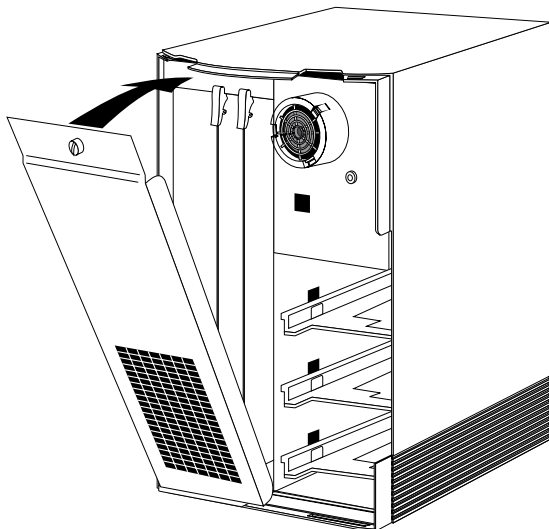
1. Position the board for installation.
  - Face the front of the Indigo chassis.
  - Move the alligator clip of your wrist strap back to a metal part of the chassis.
  - Place the board in the Indigo chassis so the lever labelled **CPU** lines up with **CPU** on the Indigo chassis. The SIMMs should be facing left, as shown in Figure 3-11.

The card guides hold the board in the top and bottom of the chassis.



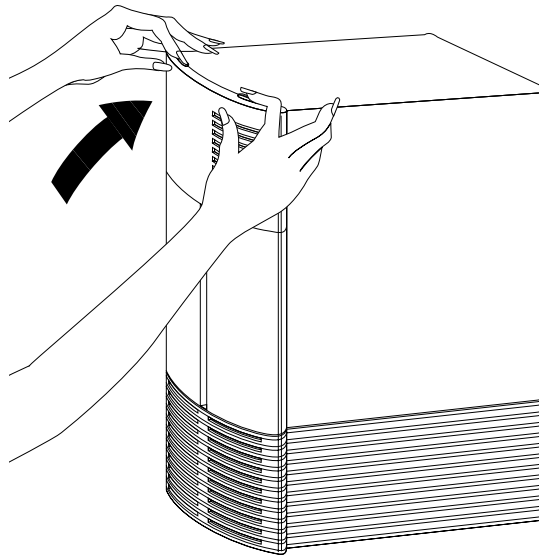
**Figure 3-11** Installing the CPU Board

2. Slide the board into the Indigo chassis.
  - Slide the board in almost all the way.  
Make sure the notch in the top lever goes under the top edge of the chassis.
3. Return the levers to their original positions. They should snap into place.
4. Replace the front metal panel.
  - Tilt the metal panel back up to the Indigo chassis, as shown in Figure 3-12.
  - Screw the thumbscrew back in to secure the panel. The panel should be snug against the chassis.



**Figure 3-12** Tilting the Metal Panel Up to the IRIS Indigo Chassis

5. Replace the front plastic cover.
  - Place the bottom of the front cover in the guides on the bottom of the chassis.
  - Tilt the panel up to the chassis, as shown in Figure 3-13. The cover snaps in place.



**Figure 3-13** Replacing the Front Plastic Cover

6. Reconnect the cables to the connectors on the back of the system.

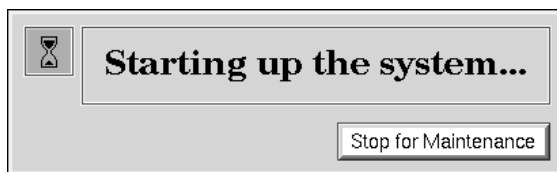
You are finished installing your new memory. Now you are ready to start up the system and check that the system recognizes the new memory.

## Checking New Memory

Now make sure the system recognizes the new memory. To check the amount of memory on your system, follow these steps:

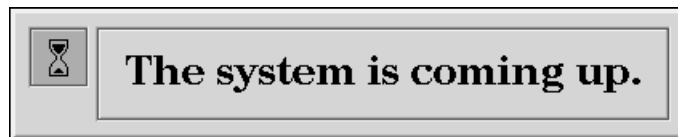
1. Press the power switch to turn on the power.

After the power-on diagnostics run, you'll see a notifier, as shown in Figure 3-14.



**Figure 3-14** System Startup Notifier

After a few seconds, you see the notifier shown in Figure 3-15.



**Figure 3-15** System is Coming Up Notifier

The system boots and brings up the login screen.

If no picture appears on your screen and the yellow fault light blinks, one or more SIMMs are not installed correctly. Turn off the system, remove the cover, and check that the SIMMs are installed correctly. Then try this procedure again.

2. Log in to your account. For more information on logging in, refer to "Logging In to the Workstation" on page 27.

When you log in, the default *desk* appears. In the upper left-hand corner of the screen are the toolchests.



**Figure 3-16**  
The Toolchest

3. Choose “System Manager” from the System toolchest. The toolchest is shown in Figure 3-16.

You see a window showing Hardware and Shared Resources.

4. Look under the Hardware listing for the line showing memory. The amount of memory shown in megabytes should equal the amount of memory that came with IRIS Indigo plus the amount of memory you installed.

For example, if you had 16 MB of memory on the workstation when you started and you installed another 32 MB, you should have a total of 48 MB.

**Note:** If the amount of memory you just installed is not added to the original amount, the SIMMs are not installed correctly. Make sure that all the SIMMs are all the way in. Return to “Adding SIMMs to the IRIS Indigo Workstation” on page 41 to remove the CPU board, check the SIMMs, and replace the CPU board. Then try this procedure again.

Now you are ready to use the IRIS Indigo workstation.

## Removing Memory

You may need to remove SIMMs if one fails or if you want to upgrade the memory in your system.

**Caution:** SIMMs and the system's internal components are sensitive to static electricity. Handle the SIMMs carefully, and wear the wrist strap to avoid the flow of static electricity.

When you receive new SIMMs or a SIMM to replace a failed SIMM in an IRIS Indigo R3000 workstation, you also receive a plastic SIMM removal tool. It has a handle on one end and a notch on the other. You do not need a removal tool to remove SIMMs from an IRIS Indigo R4000 family workstation.

To remove memory, you must shut down the system, remove the covers and CPU board, remove the SIMMs, and then replace the CPU board and covers.



**Figure 3-17**  
The Toolchests

## Shutting Down the System

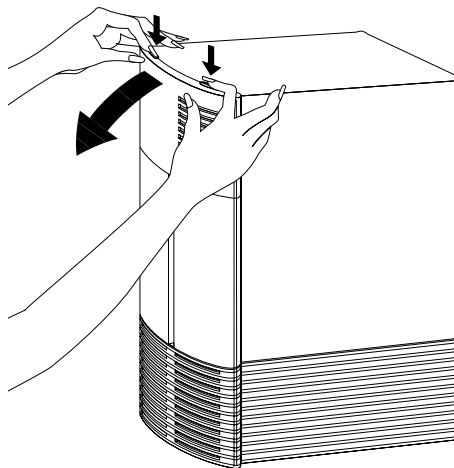
To shut down the system, follow these steps:

1. Shut down and turn off the system.
  - Choose “System Shutdown” from the System toolchest. The toolchests are shown in Figure 3-17.
  - Turn off the power switch on the back of the Indigo chassis.
2. Disconnect all the cables from the back of the chassis.
  - Make sure to disconnect the black power cable.

## Removing the Covers and CPU Board

Once the system is shut down and all the cables are disconnected, follow these steps:

1. Remove the plastic front cover.
  - Face the front of the Indigo chassis.
  - Two tabs on top of the front cover hold it in place.
  - Press down on the tabs and pull the panel away from the chassis, as shown in Figure 3-18.



**Figure 3-18** Removing the Plastic Cover From the Indigo Chassis



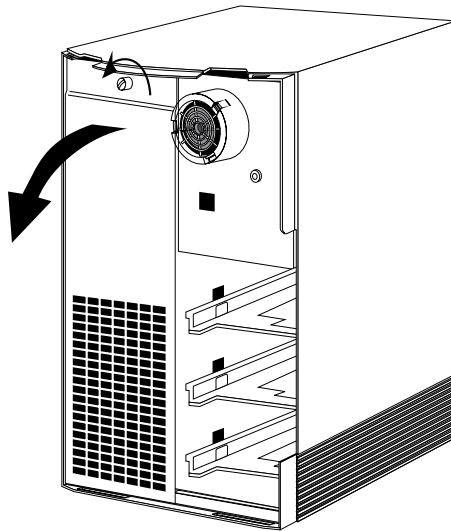
2. Ground yourself to the metal part of the chassis.

**Caution:** The CPU board is extremely sensitive to static electricity; you must wear the wrist strap while removing it. The wrist strap prevents flow of static electricity, which could damage the board.

- Snap the two pieces of the wrist strap together and put the wrist strap over your wrist, making sure it is tight against your arm. Attach its alligator clip to a metal part of the chassis; the notch above the top drive slot works well.
3. Open the front metal panel.

A thumbscrew holds the metal panel in place.

- Loosen the panel by unscrewing the thumbscrew, as shown in Figure 3-19.
- Tilt the panel until it rests on the flat surface.



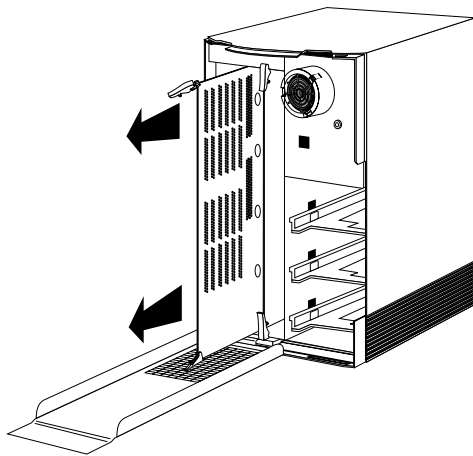
**Figure 3-19** Opening the Front Metal Panel

4. Remove the CPU board.

You see two boards inside the Indigo chassis; the left board is the CPU board and is labelled **CPU**.

Two levers hold the board in place.

- Pull the levers toward you to release the board. The board slides out of the chassis as you pull the levers, as shown in Figure 3-20.



**Figure 3-20** Removing the CPU Board From the Indigo Chassis

- Slide the board out of the slot and set it down on a flat, anti-static surface (such as a clean, dry desktop), so the side with the large chips on it faces up.

You are ready to remove the SIMMs.

### Removing the Memory SIMMs

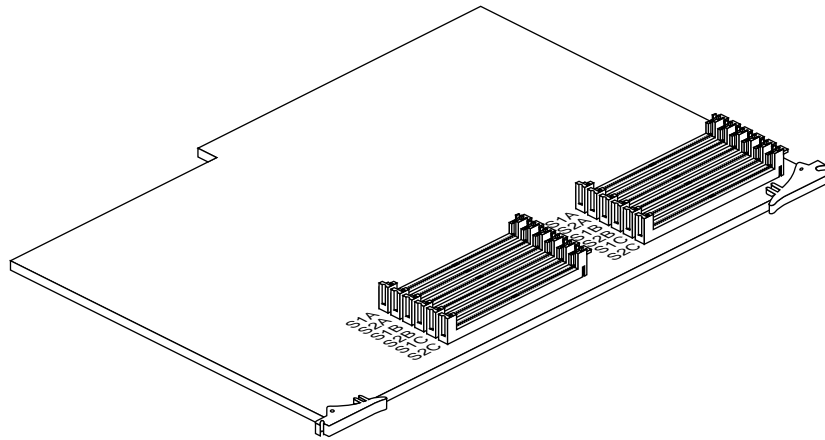
Your system has one of two types of memory SIMMs—one type for an IRIS Indigo R3000 workstation, and another type for the IRIS Indigo R4000 family of workstations.

To remove SIMMs from IRIS Indigo R3000, follow the instructions below. To remove the SIMMs from IRIS Indigo R4000 family workstation, see “Removing the Memory SIMMs from an IRIS Indigo R4000 Family Workstation” on page 61 for instructions.

### Removing the Memory SIMMs from an IRIS Indigo R3000 Workstation

To remove memory SIMMs from IRIS Indigo R3000, follow these steps:

1. Orient the CPU board so the memory sockets are closest to you, as shown in Figure 3-21.
  - Ground yourself by removing the alligator clip from the Indigo chassis and attaching the clip to the CPU board. Attach the clip to the metal part with the connectors. Make sure the wrist strap is tight around your arm.



**Figure 3-21** Orienting Yourself to the CPU Board

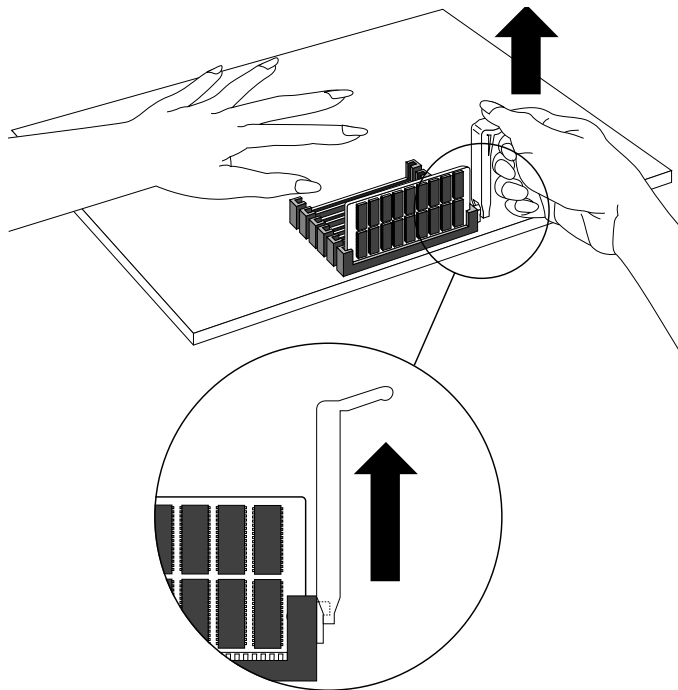
2. Locate the SIMM sockets.
  - Look for the SIMM sockets in the lower right corner of the board.

3. Loosen and remove the SIMMs.

- Locate the memory SIMMs you want to remove.

Look for the white lever on the right side of the memory socket.

- Grasp the SIMM removal tool by the handle.
- Slip the notched edge of the removal tool under the white lever on the right side of the SIMM socket, as shown in Figure 3-22.
- Pull straight up to lift one side of the SIMM free from the socket contacts. The SIMM is tightly seated, so this may take considerable force.



**Figure 3-22** Removing the SIMM Using the SIMM Removal Tool

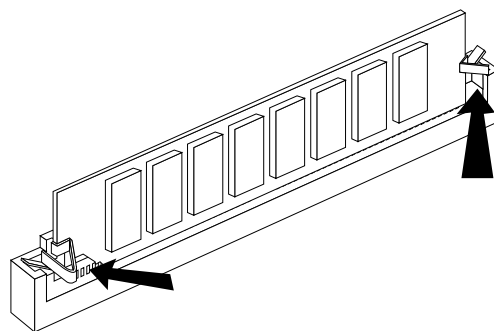
- Use your fingers to pull up on the other side of the SIMM to remove it from the socket.
- Remove the other SIMMs.

See “Replacing the CPU Board and Covers” on page 62 to replace the CPU board and covers.

### Removing the Memory SIMMs from an IRIS Indigo R4000 Family Workstation

To remove the memory SIMMs from IRIS Indigo R4000 family workstation, follow these steps:

1. Orient yourself to the CPU board so the memory sockets are closest to you, as shown in Figure 3-22.
  - Ground yourself by removing the alligator clip from the Indigo chassis and attaching the clip to the CPU board. Attach the clip to the metal part with the connectors. Make sure the wrist strap is tight around your arm.
2. Locate the SIMM sockets.
  - Look for the SIMM sockets in the lower right corner of the board.
3. Remove the SIMMs.
  - Locate the memory SIMMs you want to remove.
  - Use your thumbs to press the latches away from the sides of the SIMM, as shown in Figure 3-23.



**Figure 3-23** Removing a Memory SIMM from an IRIS Indigo R4000 Family Workstation

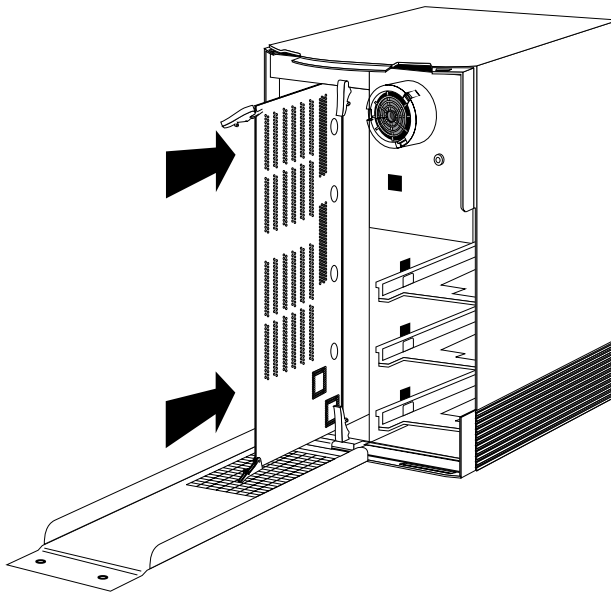
- Tip the SIMM toward you about 45 degrees, then pull the SIMM out of the socket.
- Remove the other SIMMs.

### Replacing the CPU Board and Covers

To replace the CPU board and all the covers, follow these steps:

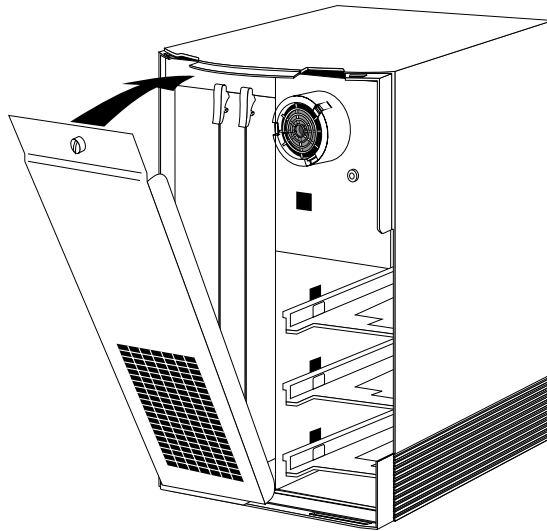
1. Position the board for installation.
  - Face the front of the Indigo chassis.
  - Move the alligator clip of your wrist strap back to a metal part of the chassis.
  - Place the board in the Indigo chassis so the lever labelled **CPU** lines up with **CPU** on the Indigo chassis. The SIMMs should be facing left.

The card guides hold the board in the top and bottom of the chassis, as shown in Figure 3-24.



**Figure 3-24** Installing the CPU Board

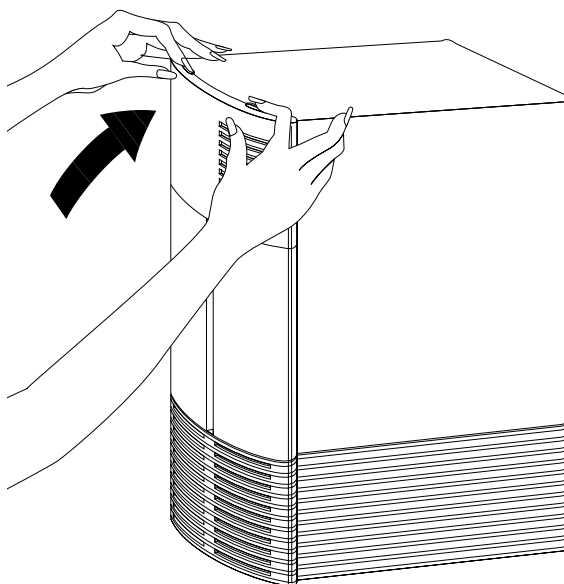
2. Slide the board into the chassis.
  - Slide in the board almost all the way.
  - Make sure the notch in the top lever goes under the top edge of the chassis.
3. Return the levers to their original positions. They should snap into place.
4. Replace the front metal panel.
  - Tilt the metal panel back up to the Indigo chassis, as shown in Figure 3-25.



**Figure 3-25** Tilting the Metal Panel Up to the Indigo Chassis

- Screw the thumbscrew back in to secure the panel. The panel should be snug against the chassis.

5. Replace the front plastic cover.
  - Place the bottom of the front cover in the guides on the bottom of the Indigo chassis.
  - Tilt the panel up to the chassis, as shown in Figure 3-26. The cover snaps in place.



**Figure 3-26** Replacing the Front Plastic Cover

6. Reconnect the cables to the connectors on the back of the Indigo chassis.

You are finished removing the SIMMs.



## **Installing Peripherals**

This chapter describes how to install internal drives in your IRIS Indigo workstation and how to connect external audio and SCSI devices.



---

## Installing Peripherals

This chapter tells you how to install:

- internal drives
- external SCSI devices
- serial devices

To install a peripheral, you must first install the hardware, and then bring up the system software so the system recognizes the peripheral.

### Installing Internal Drives

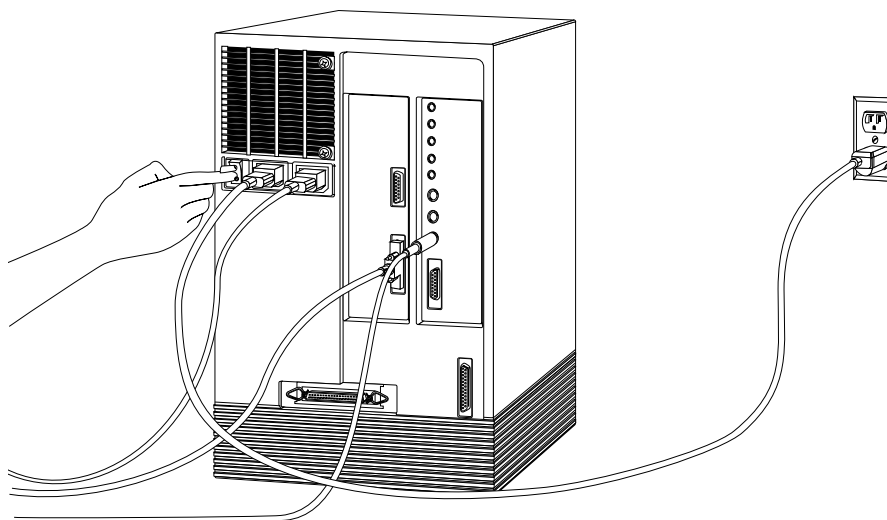
This section tells you how to install internal drives in a IRIS Indigo workstation. Internal drives include the system disk drive, a secondary hard disk drive, a floppy disk drive, and a DAT drive.

**Caution:** Drives are sensitive pieces of equipment. Handle your drive carefully. Do not drop it or otherwise abuse it.

### Installing the Drive

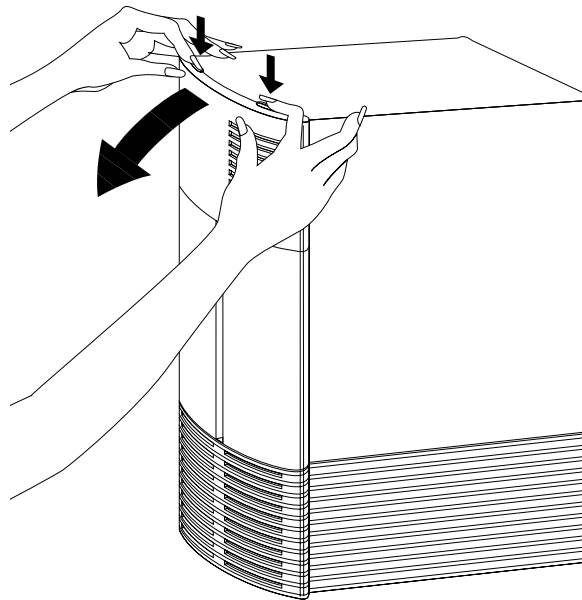
To install the drive, follow these steps:

1. Power down the system.
  - Choose “System Shutdown” from the System toolchest.  
The Toolchest is in the upper left corner of your screen.
  - Turn off the power switch on the back of the Indigo chassis, as shown in Figure 4-1.



**Figure 4-1** Turning Off the Power Switch

2. Remove the front cover.
  - Face the front of the Indigo chassis.  
Two tabs on top of the front cover hold it in place.
  - Press down on the tabs and pull the cover away from the chassis, as shown in Figure 4-2.

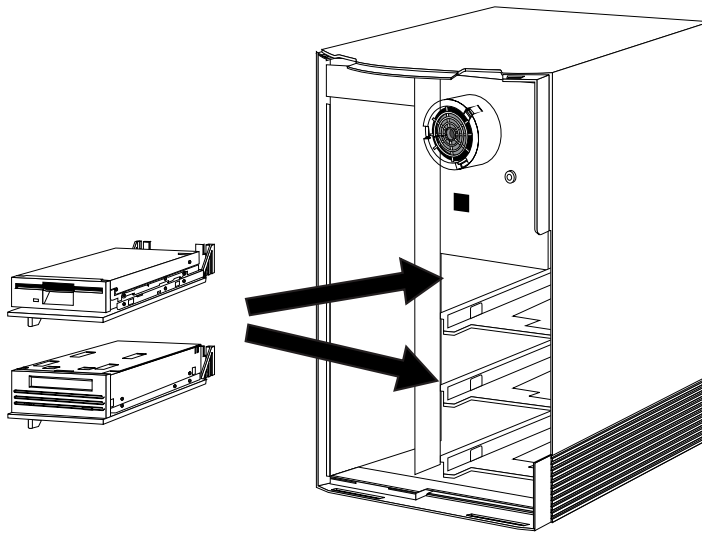


**Figure 4-2** Removing the Front Plastic Cover of the Chassis

3. Choose a slot to install the drive in.

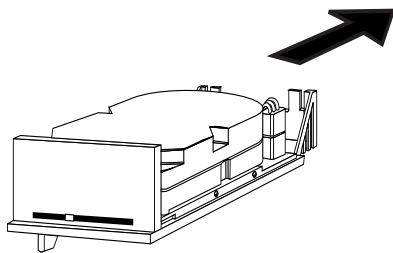
**Caution:** Install only the system disk in the bottom slot.

Install a second hard disk, floppy disk drive, or a DAT drive into either the top or the middle slot, as shown in Figure 4-3.

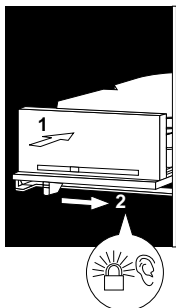


**Figure 4-3** Drive Slots in the Front of the Chassis

4. Pick up the drive so the two plastic guide pins on the back are on the top half of the drive and facing away from you, as shown in Figure 4-4.



**Figure 4-4** Holding Drive to Install in a Front Slot



**Figure 4-5** Sliding the Drive Into the Slot

5. Slide the drive into the slot.

- Place the drive into the slot and push firmly. The green lever underneath the drive moves to the right.
- Once the drive is all the way in, push the green lever underneath the drive all the way to the right, as shown in Figure 4-5.

You should hear a click when the drive locks into place.

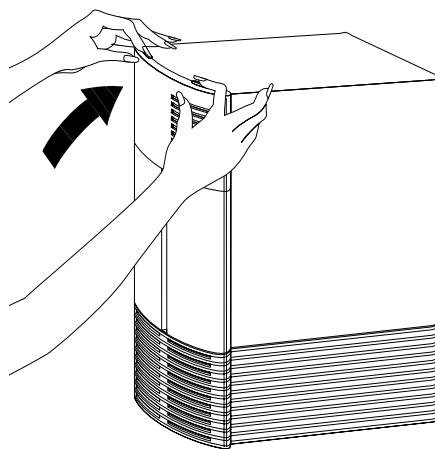
- Try pulling gently on the drive. The drive should not come out when you pull it.

If you installed a drive in the top drive slot, you need to remove the top black plastic blanking panel. If you installed a drive in the middle slot, remove the bottom black blanking panel.

- Pick up the plastic front cover of the Indigo and open the door on the front of the cover.
- Push the black blanking panel out from the back of the cover. The panel falls out. You may want to save the panel in case you ever remove your drive.

6. Replace the front cover of the chassis.

- Place the bottom of the front cover in the guides on the bottom of the Indigo chassis.
- Tilt the cover up to the chassis, as shown in Figure 4-6. The cover snaps in place.



**Figure 4-6** Replacing the Front Cover of the IRIS Indigo Workstation

7. Turn on the power.
  - Turn on the power switch on the back of the Indigo chassis.

When you see the login screen, you are ready to log in and turn on the software. Go on to the next section.

### Testing the Internal Drive

The system automatically sets up the system software for internal devices you install and places an icon on the desktop.

Once you install the drive, follow these steps to check that the system recognizes the new drive.

1. Log in to your account. For more information on logging in, refer to “Logging In to the Workstation” on page 27.
2. If the device is installed correctly, you should see an icon for it on the desktop. Double-click the icon to set up the drive.
3. You can also use the System Manager to check that the drive is shown correctly.

- From the System toolchest, select “System Manager.” The toolchests are shown in Figure 4-7.
- You see a window showing Hardware and Shared Resources.
- Pull down the Hardware menu and select “Disks.” You see a list of installed drives.

**Note:** If the drive you installed does not appear, power down the system and make sure the drive is installed all the way in the slot. Then restart the system and check the System Manager listing again.



**Figure 4-7**  
The Toolchests

### If You Installed a CD-ROM Drive

If other users are going to access your CD-ROM drive, refer to the online *Personal System Administration Guide* for special instructions. Select “On-line Books” from the Help Toolchest. Then select the *Personal System Administration Guide*, and search for “Setting Up SCSI Peripherals.”



### If You Installed a Floppy or Floptical Disk Drive

If you are using the drive as an IRIX device, follow these steps to format a floppy or floptical disk:

1. Choose “Disk Manager” from the System toolchest.  
You see a photo of the drive with a labeled button underneath it.
2. Click the button beneath the photo of your floppy or floptical drive.  
You see the “Disk Information” window.
3. Click the “Initialize” button.

Floppy disks take about 2 minutes to format; floptical disks take about 10 minutes.

You are finished formatting the floppy or floptical disk.

### If You Installed a Tape Drive

If this is the only tape drive installed on your system, the drive is ready to use. For each additional tape drive you install, you must open the shell window and type the following commands.

```
su
cd /dev
./MAKEDEV tape
```

For information on backing up data onto a tape, select “On-line Books” from the Help toolchest. Then select the *Personal System Administration Guide*, and search for “Backing Up and Restoring Files.”

### Cleaning DAT Drives

If you use your DAT drive frequently, magnetic dust or debris can collect on the heads of the drive. This may make your DAT tapes unreadable or unwritable.

If the green LED on the front of the DAT drive flashes at about 5 second intervals, you should clean the DAT drive heads. You should clean your DAT drive after about every 30 hours of use.

**Note:** If the LED on the front of the DAT drive still flashes after you have cleaned the drive heads, you may have a worn out DAT tape. Try using a new DAT.

Follow these steps to clean your DAT drive:

1. Insert a cleaning DAT tape.

Use a cleaning DAT tape authorized by the DAT drive manufacturer.

The drive loads the tape and starts cleaning the heads.

**Note:** Be sure to use a data cleaning tape only. An audio cleaning tape does not work.

2. After about 10 seconds, the drive ejects the tape.

## On Removing Drives

If you remove a secondary hard drive or floppy drive and do not intend to replace it, you need to inform the system that the drive is no longer there. For more information, select “On-line Books” from the Help toolchest, and search for “Removing a Disk” in the *Personal System Administration Guide*.

## Installing External Devices

This section explains how to connect an external SCSI device to an IRIS Indigo workstation. External devices include the 1/4” tape drive, CD-ROM drive, and other external SCSI devices.

Follow the steps below to connect an external SCSI device to your IRIS Indigo workstation.

### Assigning a SCSI Address to the External Device

Before shutting down your system and installing an external device, you need to assign an address to the device.

- If you currently do not have any extra internal devices or external devices attached to your system, you can assign any number from 1 to 7 to the new device. Skip to “Setting the SCSI Address on the External Device” on page 76.
- If you have at least one or more internal or external devices attached to your system and you are adding another device, you must check which addresses are assigned to the existing external devices and then choose a number between 1 and 7 that has not already been assigned.

To check available addresses for external devices, follow these steps:

1. If IRIS Indigo is powered off, turn on the power switch on the back of the Indigo chassis.
2. Log in to your account. For more information on logging in, refer to “Logging In to the Workstation” on page 27.
3. When the system comes up, select “System Manager” from the System toolchest.

4. Pull down the Hardware menu and select “Summary.”  
You see a listing of your system’s hardware devices and their address numbers.
5. Choose a number from 1 to 7 that is not assigned to your current devices and then go to the next section, “Setting the SCSI Address on the External Device.”

### Setting the SCSI Address on the External Device

Now you must manually set the address you chose in step 5 above on the external device.

This may be done in a number of ways, depending on the device. In some cases, it may mean installing jumpers on the device.

If the device has a switch or dial on the back, follow the steps below. If there is no switch or dial on the device, see the instructions included with the device.

1. Take the device out of its box.
2. Locate the address dial on the back of the device.  
**Caution:** Do not assign number 0! This number is reserved for the SCSI controller.
3. Click the dial buttons or turn the dial with a screwdriver to assign the drive the number you chose in step 5 above.

### Attaching the Device

You can attach one or more external devices to the SCSI port on the back of your workstation. Connecting more than one device is called *daisy chaining*. The devices are connected together in a chain, with the first device attached to the SCSI port on the workstation.

If one or more of the devices you are attaching to your workstation is a FAST SCSI-2 device, then the maximum combined cable length of all SCSI cables should not exceed 3 meters. If you are not attaching any FAST SCSI-2 devices, then the maximum combined cable length of all SCSI cables should not exceed 6 meters.

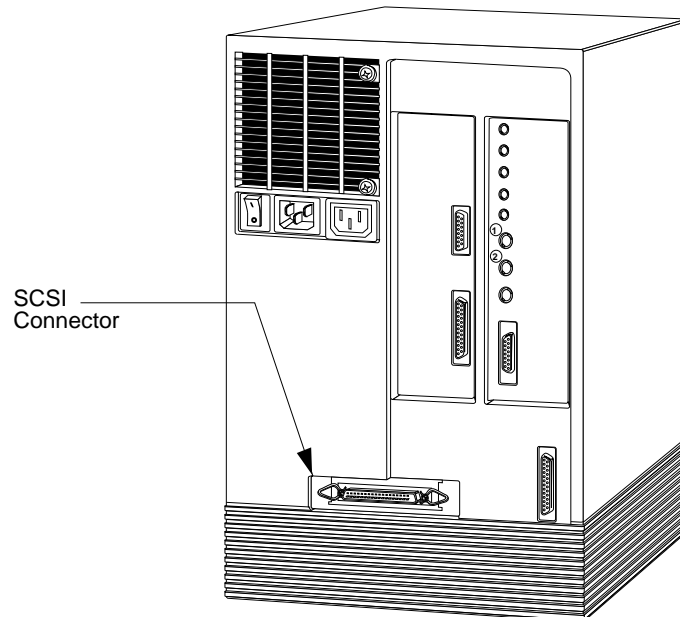
**Note:** Use the cables and active terminator that came with the device. You must use an active terminator. Using other types of cables or terminators can result in data loss. If you have a device that you want to attach to your system, but you do not have the appropriate cables, you can order them by contacting your service provider.

Follow the steps below to connect the device to your IRIS Indigo workstation.

1. Power down your system.
  - Choose “System Shutdown” from the System menu in the Toolchest.
  - Turn off your system.
2. Locate the SCSI connector on the back of the Indigo chassis, as shown in Figure 4-8.
3. Remove the terminator from the workstation or from the last external device attached to your workstation.
  - If you are attaching the device to the workstation, remove the terminator from the SCSI connector on the Indigo chassis by squeezing the clips on both sides of the terminator and pulling it off, as shown in Figure 4-8.

Save the terminator. You must reattach it to the system if you remove and do not replace the external device.

  - If you are daisy-chaining a device to another device, remove the terminator from the connector on the device by squeezing the clips on both sides of the terminator and pulling it off.



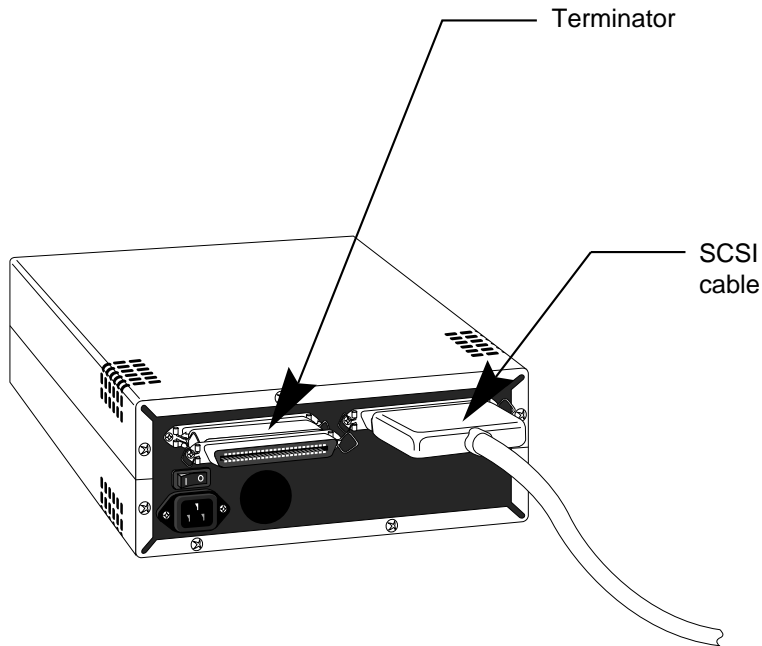
**Figure 4-8** SCSI Connector on the Back of the Indigo Chassis

4. Attach the appropriate cable. Silicon Graphics SCSI devices come with two cables; one with identical connectors at each end, and one with different connectors at each end.

- *If you are attaching the device to the workstation, use the cable that has a different connector on each end.*

Attach the flat, smaller end of the cable to the SCSI connector on the workstation, as shown in Figure 4-8.

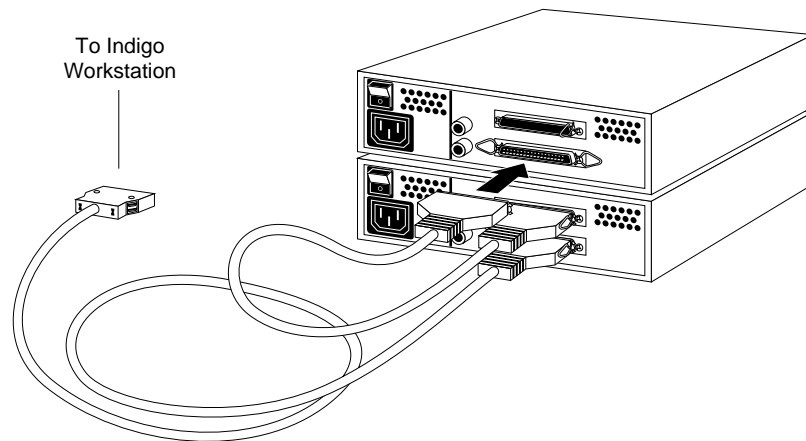
- Connect the other end of the SCSI cable to one of the SCSI connectors on the back of the device and secure the clips on each side of the connector, as shown in Figure 4-9.



**Figure 4-9** SCSI Cable and Terminator on the Back of the SCSI Drive

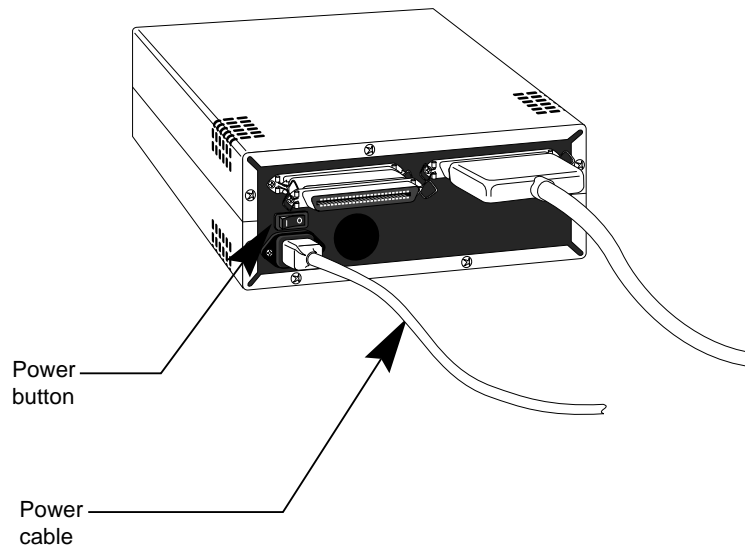
- *If you are daisy-chaining a device to another device, use the cable that has identical connectors at each end.*

Connect one end of the cable to the open connector on the first device, as shown in Figure 4-10. Attach the other end to one of the connectors on the device you are adding.



**Figure 4-10** Daisy-chaining an External SCSI Device to Another External SCSI Device

5. Connect one end of the power cable that came with your device to the power connector on the back of the device, as shown in Figure 4-11.



**Figure 4-11** Power Cable and Power Switch on the Back of the SCSI Drive

6. Plug the other end of the power cable into a grounded three-prong electrical outlet.
7. Turn the device on.

The power button is on the back of the device, as shown in Figure 4-11.

**Note:** Remember to turn on the external devices first and then your system to make sure the devices are recognized.

### Testing the External Device

After you've attached the device to your system, check to make sure your system recognizes the device.

The system automatically sets up the system software for most external devices you install and places an icon on the desktop.



To check the system configuration, follow these steps:

1. Turn on the external device. The power switch is on the back of the device.

**Note:** Always turn on the external device *before* the system; otherwise, the system may not recognize the device.

2. If IRIS Indigo is powered off, turn on the power switch on the back of the chassis.

After a few moments, the system starts up.

When you see the login screen, log in to your account. For more information on logging in, go to “Logging In to the Workstation” on page 27.

If the device is installed correctly, you see an icon for it on the desktop. Figure 4-12 shows the icon for a CD-ROM drive.



cdrom

**Figure 4-12**  
CD-ROM Icon

3. You can also use the System Manager to check that the drive is shown correctly. From the System toolchest, select “System Manager.”

You see a window showing Hardware and Shared Resources.

4. Pull down the Hardware menu and select “Disks.” You see a list of installed drives.

If the drive you installed does not appear, do the following:

1. Power down the system.
2. Check that you’ve connected the correct SCSI cable to the drive.
3. If the drive is the last SCSI device on the daisy-chain, make sure it has a terminator installed on it.
4. Restart the system and check the System Manager listing again.

You are now ready to turn on the software.

### If You Installed a CD-ROM Drive

If other users are going to access your CD-ROM drive, refer to the online *Personal System Administration Guide* for special instructions. Select “On-line Books” from the Help Toolchest. Then select the *Personal System Administration Guide*, and search for “Setting Up SCSI Peripherals.”

### **If You Installed a Floppy or Floptical Disk Drive**

If you are using the floppy or floptical drive as an IRIX device, see “If You Installed a Floppy or Floptical Disk Drive” on page 73 for instructions on formatting the floppy disk.

### **If You Installed a Tape Drive**

If this is the only tape drive installed on your system, the drive is ready to use. For each additional tape drive you install, you must open the shell window and type the following commands.

```
su
cd /dev
./MAKEDEV tape
```

If you installed a tape drive, the drive is ready to use. For information on backing up data onto a tape, select “On-line Books” from the Help toolchest. Select the *Personal System Administration Guide*, and search for “Backing Up and Restoring Files.”

### **If You Installed a Printer**

If you installed a printer, select “Printer Manager” from the System toolchest, and set up the printer. For more information on setting up the printer, select “On-line Books” from the Help toolchest. Select the *Personal System Administration Guide*, and search for “Setting Up Network, Peripheral, and Printer Connections.”

## Installing Serial Devices

This section tells you how to install serial devices. Serial devices include:

- dial and button boxes
- dials box
- digitizer tablet

### Installing the Device

To install a serial device, follow these steps:

1. Unpack the serial device and cables.
2. Locate the serial connector on the back of the Indigo chassis.
  - The serial connectors are labelled 1 and 2.

**Caution:** Do not connect the serial devices to the connector labelled keyboard.

**Note:** For information on using other serial cables, see “Other Serial Cables” on page 85.

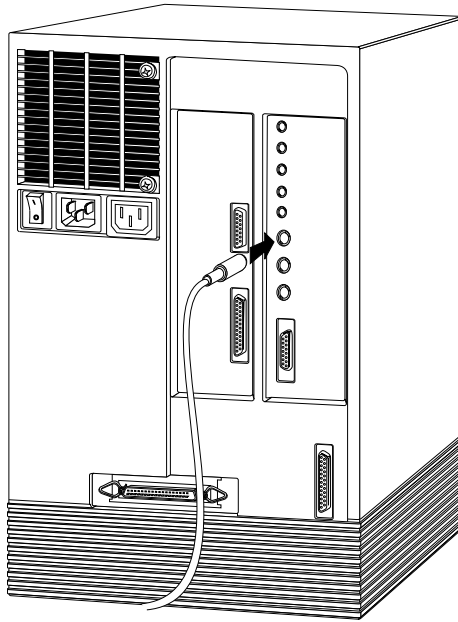
3. Plug in the serial cable.

If you are attaching a console terminal, attach it to serial connector 1 only. If you are attaching any other device, you can attach it to either connector.

- Plug one end of the serial cable into the connector on the back of the serial device.

See the instructions that came with the serial device for detailed instructions on how to connect the cable to the device.

- Plug the other end of the cable to the serial connector on the back of the Indigo chassis, as shown in Figure 4-13.



**Figure 4-13** Connecting the Serial Cable to the Serial Port on the Indigo Chassis

**Note:** If you are installing a dial and button box, a small serial adapter cable came with the box. First connect the serial adapter cable to the serial cable. Then connect the other end of the serial adapter cable to the Indigo chassis.

4. Plug in the serial device's power cable.
  - Plug the female end of the power cable into the power connector on the back of the serial device.
  - Plug the other end into a grounded three-prong wall outlet or power strip. (Do not use a two-prong adapter.)

### **Configuring the Device**

Once the device is connected to the workstation, you need to configure it. Select "On-line Books" from the Help toolchest. Select the *Personal System Administration Guide*, and search for "Setting up Serial Peripherals."

### **Other Serial Cables**

You may want to connect other serial devices to your Indigo. Below you'll find information on what serial cables you can use with your IRIS Indigo workstation.

### Printer/Modem/Dumb Terminal Serial Cable

To use a serial printers and dumb terminals, use a 3-wire standard Macintosh® to Imagewriter® cable. The cable connector pinout assignments for this cable are shown in Table 4-1.

**Table 4-1** Cable Connector Pinout Assignments for the Printer/Modem/Dumb Terminal Serial Cable

Signal Description	Pin Number DIN-8 Connector (male)	Pin Number DB-25 Connector (male)
	1	N/C
	2	N/C
TXD	3	3
GND	4	7
RXD	5	2
	6	N/C
	7	N/C
GND	8	7

**Note:** For a 3-wire cable and no hardware flow control modem, you must use the `/dev/ttyd*` command devices in the configuration files. For more detailed information, see the *serial* man page. To access the man page, place the cursor in the console window and type

```
man serial
```

## Modem Cable

Use a full-handshake (includes RTS and CTS) serial cable for a modem with RTS/CTS flow control. The cable pinout assignments for this cable are shown in Table 4-2.

You can use this cable for all serial devices (even applications that don't need RTS flow control). If you add a null modem adapter, you can use this modem cable for serial printers and dumb terminals. You can purchase this cable from Silicon Graphics.

**Note:** Do not use a standard Macintosh serial cable. It does not have the correct number of connectors for full flow control.

**Table 4-2** Cable Connector Pinout Assignments for the Modem Cable

Signal Description	Pin Number DIN-8 Connector (male)	Pin Number DB-25 Connector (male)
DTR	1	20
CTS	2	5
TXD	3	2
GND	4	7
RXD	5	3
RTS	6	4
DCD	7	8
GND	8	7

**Note:** If you are attaching a modem with modem signals and RTS/CTS flow control, you must use the `/dev/ttyf*` command devices in the configuration files. For more detailed information, see the *serial* man page. To access this man page, place the cursor in the console window and type

```
man serial
```

### Serial Devices Using a Silicon Graphics Adapter Cable

To use the devices below, you'll need a serial adapter cable supplied by Silicon Graphics.

- dial and button box
- dials box
- digitizer tablet
- Spaceball™

The cable is used to convert the serial cable that came with the device to a Silicon Graphics 9-PIN serial cable connector. This cable then connects to the serial connector on the back of the Indigo chassis. The cable connector pinout assignments are shown in Table 4-3.

**Table 4-3** Cable Connector Pinout Assignments for the Adapter Cable

Signal Description	Pin Number DIN-8 Connector (male)	Pin Number DB-9 Connector (female)
DTR	1	9
CTS	2	5
TXD	3	2
GND	4	7
RXD	5	3
RTS	6	4
DCD	7	8
GND	8	7
	N/C	6
	N/C	1



### Serial Devices Using a PC Adapter Cable

To use a serial device designed for use with personal computers using a DB-9 connector, you'll need a PC adapter cable supplied by Silicon Graphics. This adapter cable is used to convert from the PC's DB-9 pinout to the Indigo<sup>2</sup> workstation's DIN-8 pinout.

The cable connector pinout assignments for the PC adapter cable are shown in Table 4-4.

**Table 4-4** Cable Connector Pinout Assignments for the PC Adapter Cable

Signal description	Pin Number DIN-8 (male)	Pin Number DB-9 (male)
DTR	1	4
CTS	2	8
TXD	3	3
GND	4	5
RXD	5	2
RTS	6	7
DCD	7	1
DSR	8	6
	N/C	9



## **Installing and Removing Software**

This chapter describes how to install and remove Silicon Graphics software products on your IRIS Indigo workstation.



## Installing and Removing Software

This chapter shows you how to install software products that you received from Silicon Graphics, Inc. To install products from other vendors, please see the software installation instructions that accompany the products.

You can install software from a CD-ROM drive that's connected either to your own system or to another Silicon Graphics system on your network. Only the *administrator* can install or remove software if there is a password on the Administrator account.

If you need advanced information on software installation or troubleshooting, please order the comprehensive *IRIS Software Installation Guide* from your local service provider.

### Installing a New Version of the Operating System Software

The administrator can install a new version of the IRIX operating system by following these steps:

1. Make a full system backup; For more information, select "On-line Books" from the Help toolchest and search for "Backing Up and Restoring Files" in the online *Personal System Administration Guide*.

2. If you do not have a CD drive connected directly to your system, find a CD drive on your network.
  - Choose “Disk Drives” from the Find toolchest.
  - In the Search window, choose “Type” from the Match menu, and choose “CD-ROM” from the *menu button* next to *whose type is*. See the online help in the Search window for details.
  - Click the *Search* button to find the drive.
  - When the drive’s icon appears, it is labeled *systemname:cdrom*. *systemname* is the name of the system to which the drive is connected.

**Note:** If the search does not find a device that you know is available, choose “On-line Books” from the Help toolchest and see “Troubleshooting Network Errors” in the online *Personal System Administration Guide*.
  - Contact the administrator of the system to which the drive is connected, and make sure remote installations are allowed from that CD drive. For more information, select “On-line Books” from the Help toolchest and search for “Allowing Remote Users to Install Software From Your CD Drive” in the online *Personal System Administration Guide*.
3. Insert the CD into the drive you are going to use.
4. Check the full pathname of the drive.
  - If you’re using a drive that’s connected to your own system, double-click the drive’s icon. The title bar shows the full pathname (for example, */CDROM*); write down the pathname.
  - If you’re using a remote drive, double-click its icon. A window appears in which the field labeled “Open Remote Directory” shows the full pathname of the CDROM directory (for example, */CDROM*). Write down the full name, then click the *Cancel* button to close this window.

5. Read and, if you like, print all or part of the online release notes.
  - If you're using a drive that's connected to your own system, double-click the drive's icon, then, in the directory view window that appears, double-click the *CDgrelnotes* icon to view the release notes. To print all or part of the release notes, choose "Print" from the File menu.
  - If you're using a remote drive, double-click its icon. In the Open Remote Directory window, click the *OK* button, then, in the directory view window that appears, double-click the *CDgrelnotes* icon to view the release notes. To print all or part of the release notes, choose "Print" from the File menu.
6. Shut down the system, restart it, and start the software installation tool.
  - Choose "System Shutdown" from the System toolchest.  
You see a dialogue box that says *System is Shutting Down*.
  - When you see a dialogue box that says *Okay to power off*, click the *Restart* button.
  - When you see a dialogue box that says *Starting up the system*, click the *Stop for Maintenance* button. You see a list of six icons.
  - Click the icon labeled *Install System Software*.
7. Specify the location of the new software to install.
  - If the CD is in a drive connected to your system, click the *Local CD-ROM* icon. When the notifier appears asking you to insert the CD, insert it in the drive, and click *Continue*.
  - If the CD is in a drive that's connected to another system on the network, click the *Remote Directory* icon. When a notifier appears asking you for the remote hostname, type the system's name, a colon (:), and the full pathname of the CD, and add */dist* to the end. For example, to access a CD-ROM on the system *mars*, type:

```
mars: /CDROM/dist
```

When the notifier appears asking you to insert the CD, click *Continue*.

**Note:** If you see error messages after you insert the CD and click the *Continue* button, see “System Cannot Find the New Software” on page 105.

8. When the system finds the software, it takes several minutes to copy the software installation tools onto your system. The system is ready to install software when you see the *inst* menu:

```
1. from [source]
2. list [keywords] [names]
3. go
4. install [keywords] [names]
5. remove [keywords] [names]
6. keep [keywords] [names]
7. step [keywords] [names]
8. versions [args]
9. help [topic]
10. admin
11. quit
```

Inst>

9. Install all or some of the subsystems that make up the operating system.

- To install all of the *default subsystems*, type:

```
go
```

- To install all optional and required subsystems that are available on the CD, type:

```
install all
```

```
go
```

**Note:** Usually you do not want to install all subsystems, as they occupy a very large amount of disk space. See the online release notes for product sizes.

- To select only required subsystems or to select all required subsystems plus some optional subsystems, see “Choosing Subsystems to Install or Remove” on page 102.

If you see an error message that says the system cannot find the software, see “System Cannot Find the New Software” on page 105. If you see any other messages, see “System Cannot Complete an Installation” on page 106. The installation is complete when you see this message:



```
Installation and/or removal succeeded.  
You can insert another tape or CD-ROM now.  
Type "quit" if you are ready to leave the inst tool  
Inst>
```

10. Remove the CD. If you have another CD from which you want to install an optional product, insert the CD, and go back to step 7.

11. When all the software is installed, type:

```
quit
```

You may see several messages as *inst* communicates your changes to the operating system, and configures the new kernel.

12. The software is successfully installed and your system is ready to restart when you see this message:

```
Ready to restart the system. Restart? [y, n]
```

Type **y** then press **<Enter>**.

If you see a different message or question, see “System Reports Errors After an Installation” on page 107.

The system starts up as usual.

13. When the login window appears, log in to your own account.

14. See your Release Notes by choosing “Release Notes” from the Help toolchest, then by choosing products from the Products menu.

The Release Notes for each product list the directories where applications are stored on your disk so you can drag icons onto your desktop or onto a particular page of the Icon Catalog. The Release Notes also cover new features and known problems with the product.

## Installing Optional Software

Before you install a new product, check its Release Notes (see step 5 below for details) for this information:

- The version of the operating system (IRIX) that must be running in order for this product to run.
- A list of prerequisite products or *subsystems* (smaller parts of the products) that must be installed before you install the new product.

- A list that shows which subsystems are optional, which are required for product operation, and how much disk space each subsystem uses.
- An indication of whether you can use the instructions in this section to install the software while the system is up and running (an IRIX install) or whether you need to install the product while the system is running on a limited version of the operating system (a miniroot install). If the product requires a miniroot installation, follow the steps in “Installing a New Version of the Operating System Software” on page 93.

To make sure your system is ready for the new software, follow these steps:

1. Check which version of the operating system your system is running by choosing “System Manager” from the System toolchest.

The System Manager window shows the operating system version just to the left of the system’s model name.

2. Check whether required subsystems are already installed by choosing “Show Installed” from the Software menu in the System Manager window; press the `<space bar>` to page through the listing.
3. Check whether you have enough disk space by choosing “Disk Manager” from the System toolchest.

If you do not have enough space to install the entire product but you do have enough for the required subsystems, during installation you can choose to install only required subsystems. To free up disk space by removing or archiving old or unneeded files, select “On-line Books” from the Help toolchest and search for “Freeing Up Disk Space” in the online *Personal System Administration Guide*.

4. If you do not have a CD drive connected directly to your system, find a CD drive on your network.
  - Choose “Disk Drives” from the Find toolchest.
  - In the Search window, choose “Type” from the Match menu, and choose “CD-ROM” from the *menu button* next to *whose type is*. See the online help in the Search window for details.
  - Click the *Search* button to find the drive.
  - When the drive’s icon appears, it is labeled *systemname: cdrom systemname* is the name of the system to which the drive is connected.

**Note:** If the search does not find a device that you know is available, select “On-line Books” from the Help toolchest and search for “Troubleshooting Network Errors” in the online *Personal System Administration Guide*.

- Contact the administrator of the system to which the drive is connected, and make sure remote installations are allowed from that CD drive. For more information, select “On-line Books” from the Help toolchest and search for “Allowing Remote Users to Install Software From Your CD Drive” in the online *Personal System Administration Guide*.
5. Read and, if you like, print all or part of the online release notes.
- If you’re using a drive that’s connected to your own system, double-click the drive’s icon, then, in the directory view window that appears, double-click the CDgrelnotes icon to view the release notes. To print all or part of the release notes, choose “Print” from the File menu.
  - If you’re using a remote drive, double-click its icon. In the Open Remote Directory window, click the *OK* button, then, in the directory view window that appears, double-click the CDgrelnotes icon to view the release notes. To print all or part of the release notes, choose “Print” from the File menu.

To install the product, follow these steps:

1. Insert the CD into the drive that's connected to your system, or the network drive that you found earlier.
2. Check the full pathname of the drive.
  - If you're using a drive that's connected to your own system, double-click the drive's icon. The title bar shows the full pathname (for example, */CDROM*); write down the pathname.
  - If you're using a remote drive, double-click its icon. A window appears in which the field labeled "Open Remote Directory" shows the full pathname of the CDROM directory (for example, */CDROM*). Write down the full name, then click the *Cancel* button to close this window.
3. Start the software installation tool by choosing "Software Manager" from the System toolchest.
4. A text window with a menu appears. Check the top line:

Default location of new software is: *source*

*source* is the location of the drive in which you placed the CD, followed by *dist* (the name of the directory on the CD that contains the software). Usually *source* is either:

*/CDROM/dist*

CD in a local drive

*host:/CDROM/dist*

CD in a drive connected to *host*

If the location shown in the top line is correct, go on to step 5.

If the pathname for the CD drive that you found earlier is not */CDROM*, you need to specify its pathname. For example, if the pathname is */drives/cdrom* on a system named *mars*, you would type:

**from mars:/drives/cdrom/dist**

5. Install all or some of the subsystems of this product:

- To install all of the *default subsystems*, type:

```
go
```

- To install all optional and required subsystems on the CD, type:

```
install all
```

```
go
```

**Note:** Usually you do not want to install all subsystems, as they occupy a very large amount of disk space. See the online release notes for product sizes.

- To select only required subsystems or to select all required subsystems plus some optional subsystems, see “Choosing Subsystems to Install or Remove” on page 102.

If you see an error message that says the system cannot find the software, see “System Cannot Find the New Software” on page 105.

If you see any other messages, see “System Cannot Complete an Installation” on page 106. The installation is complete when you see this message:

```
Installation and/or removal succeeded.  
You can insert another tape or CD-ROM now.  
Type "quit" if you are ready to leave the inst tool  
Inst>
```

6. Remove the CD. If you have another CD from which you want to install another product, insert the CD, and go back to step 4.

7. When all the software is installed, type:

```
quit
```

The installation is complete when the Software Manager window disappears. If it does not disappear, and you see an error message, see “System Reports Errors After an Installation” on page 107.

8. See your Release Notes for the product by choosing “Release Notes” from the Help toolchest, then by choosing your product from the Products menu.

The Release Notes tell you where the application is stored on your disk so you can drag its icon onto your desktop or onto a particular page of the Icon Catalog. They also cover new features and known problems with the product.

## Choosing Subsystems to Install or Remove

When you are running *inst*, you can see all the *subsystems* that make up the products, and check whether they have been selected for installation by typing:

```
list
```

You see one or more screenfuls of information.

- To see the next screen, press the `<spacebar>`.
- To stop the listing, press `<q>`; you see the `Inst>` prompt.
- To see the *inst* menu again, press `<?>`.

*list* displays a key to the listing, followed by the list of available subsystems. The first two columns of the listing show:

- whether the available (usually newer) version of a subsystem is selected for installation (i) or is not selected (k)  
**Note:** If you have a version of a subsystem already installed and you would like to remove it while other software is being installed, you can select it for removal (r). See also “Removing Optional Software” on page 107.
- whether you have already installed an older (X), newer (N), or identical (I) version of a particular subsystem

Here are some samples of the first three columns of subsystem listings:

```
i X nfs.sw.nis
      An older version (X) of this subsystem (nfs.sw.nis) is already installed,
      and the newer version is selected for installation (i). It is part of the NFS
      product (nfs).
```

```
k I pfa.sw.lib
      An identical version (I) of this subsystem (pfa.sw.lib) is already
      installed, so inst assumes you want to keep (k) the currently installed
      version. It is part of the Power Fortran product (pfa).
```

```
k N insight.sw.client
      A newer version (N) of this subsystem (insight.sw.client) is already
      installed, so inst assumes you want to keep (k) the currently installed
      version. It is part of the IRIS Insight product (insight).
```

```
i dmedia_tools.sw.soundtools
```

No version of this subsystem (`dmedia_tools.sw.soundtools`) is installed (no X, I, or N), and it is selected for installation (i), either because it is a default subsystem, or it replaces a version that's already installed. It is part of the Digital Media Tools product (`dmedia_tools`).

```
ystour.sw.eoe
```

This subsystem has never been installed, and is not selected for installation (no letters precede it). It is part of the System Tour product (`ystour`).

The other columns of the listing show:

- the name of the subsystem
- if the subsystem is required for system operation (+), is selected as a default subsystem by the manufacturer (\*), and/or must be installed when the system is running the miniroot (@)

**Note:** Most software that is required for system operation must be installed from the miniroot, as well as some optional products. The steps in “Installing a New Version of the Operating System Software” detail a miniroot installation.

- how much additional disk space (in blocks, where 1 KB = 2 blocks) the subsystem will occupy (a positive number such as +100 shows that it will take an additional 50 KB, while a negative number such as -60 shows that the new version of the subsystem is smaller than the old version and will free 30 KB)
- a brief description of the subsystem

At the end of the listing, *inst* shows whether you have enough disk space to install all the subsystems that are selected for installation, including temporary overhead needed for the installation process. For more information on the products and subsystems, see the product's release notes.

You can change which subsystems are selected for installation in these ways:

- To select a subsystem for installation, type:

```
install subsystem
```

For example, when a new version of a product is available and you have an older version installed, *list* shows you this information:

```
X dmedia_tools.sw.soundtools
X dmedia_tools.sw.movietools
```

```
X dmedia_tools.data.prosonus
```

To select one subsystem for installation, type:

```
install dmedia_tools.sw.soundtools
```

To select all subsystems of the product for installation, type:

```
install dmedia_tools
```

*list* then shows this information:

```
i X dmedia_tools.sw.soundtools
i X dmedia_tools.sw.movietools
i X dmedia_tools.data.prosonus
```

- To prevent a new subsystem or a different version of an existing subsystem from being installed, type:

```
keep subsystem
```

For example, when a large, new subsystem that you do not want to install is selected for installation, *list* shows this information:

```
i dmedia_tools.data.prosonus
```

To prevent *inst* from installing it, type:

```
keep dmedia_tools.data.prosonus
```

*list* then shows this information:

```
dmedia_tools.data.prosonus
```

- To remove a subsystem that is currently installed, and to prevent a new version from being installed in its place, type:

```
remove <subsystem>
```

For example, when a subsystem is already installed and a newer version is available, *list* shows this information:

```
i X dmedia_tools.data.prosonus
```

To remove the current version and prevent *inst* from installing the new version, type:

```
remove dmedia_tools.data.prosonus
```

*list* then shows this information:

```
r X dmedia_tools.data.prosonus
```



When you have made your choices, start the installation. At the `Inst>` prompt, type:

```
go
```

## Troubleshooting Software Installation

This section covers the three most common problems that may arise during software installation. See the section that describes the problem you have encountered.

- “System Cannot Find the New Software” on page 105
- “System Cannot Complete an Installation” on page 106
- “System Reports Errors After an Installation” on page 107

For comprehensive troubleshooting information, please order the *IRIS Software Installation Guide* from your local support organization.

### System Cannot Find the New Software

The system cannot find the software when:

- There is no CD in a drive that you specified.
- The remote CD drive that you specified is not enabled for remote software installation. Contact the administrator of the system to which the drive is connected, and make sure remote installations are allowed from that CD drive. For more information, select “On-line Books” from the Help toolchest and search for “Allowing Remote Users to Install Software From Your CD Drive” in the online *Personal System Administration Guide*.
- Your system cannot contact the system on the network that has the software. Select “On-line Books” from the Help toolchest and search for “Troubleshooting General Network Errors” in the online *Personal System Administration Guide*.

- You entered an incorrect directory name.

This typically happens when you are installing from a remote CD drive, and the drive is not accessible from (is not mounted at) the `/CDROM` directory. Choose “Disk Drives” from the Find toolchest to find the drive, insert the CD into the drive, then double-click it to see the directory from which you can access it.

Also, be sure to complete the full pathname with `dist`, which is the name of the directory on the CD in which the software is stored. For example, the full pathname for new software on a CD whose pathname is `/drives/cdrom` on a system named `mars` is `mars:/drives/cdrom/dist`

### System Cannot Complete an Installation

Typically the system cannot complete an installation when:

1. There is not enough disk space to install all the products you selected for installation. In this case, you could:
  - Select fewer *subsystems* to install (see “Choosing Subsystems to Install or Remove” on page 102).
  - Remove subsystems that are already installed (see “Removing Optional Software” on page 107).
  - If your system is up and running (that is, if it is not doing a miniroot installation such as installing new system software), quit the Software Manager (*inst*) and remove or archive files or directories. For more information, select “On-line Books” from the Help toolchest, and see “Freeing Up Disk Space” in the online *Personal System Administration Guide*.
2. You need to install companion or prerequisite subsystems. In this case, you see an error message about “Incompatible Subsystem.”

Check the Release Notes for the products, and see “Choosing Subsystems to Install or Remove” on page 102 to choose the correct combination of subsystems.

- During optional product installation, the version of the operating system cannot support the product. In this case, you need to install a new version of the operating system, then install the optional product. See “Installing a New Version of the Operating System Software” on page 93.

### System Reports Errors After an Installation

If the system reports errors after an installation is complete, read the error message carefully, and follow its instructions. The message suggests that you type `help <topic>` for online instructions.



**Warning:** If the errors occur after you install new system software, do not turn off the system or press the Reset button. This could result in a system that cannot restart.

If you cannot solve the problem using the online help, contact your local support organization.

## Removing Optional Software

When your system starts getting low on disk space, you may want to review the software products and the *subsystems* of these products. You may no longer need certain products, or you may discover that some products include large, optional subsystems that you can remove without removing the core product.

The *administrator* can remove software by following these steps:

1. Start the software installation tool by choosing “Software Manager” from the System toolchest.
2. A text window with a menu appears. At the `Inst>` prompt at the bottom of the window, type:

```
versions
```

You see a list of all software products that are installed.

3. Check the list for products that you do not need, or for subsystems of products that have *data* or *movies* in their names. Then check the Release Notes for these products to find out which subsystems are optional and which are required, and to find out how large the subsystems are.

To check the Release Notes, choose “Release Notes” from the Help toolchest, and choose the product from the Products menu.

4. Remove an entire product or a specific subsystem.

- To remove an entire product, such as the Digital Media Tools, type:

```
versions remove dmedia_tools
```

- To remove a specific subsystem, such as the large, optional sound samples that accompany the Digital Media Tools, type:

```
versions remove dmedia_tools.data.prosonus
```

5. When you are done removing software, type:

```
quit
```

The software installation window disappears.

## **Troubleshooting**

This chapter describes how to diagnose hardware problems on your IRIS Indigo workstation. It also explains how to run diagnostic tests.



---

# Troubleshooting

This chapter tells you how to troubleshoot your hardware. Specifically, it covers:

- troubleshooting to see if you have a faulty part
- ordering a new part
- removing the faulty part
- installing the new part

## Overview

There are four ways to diagnose hardware problems:

- **Power-on tests**—tests your major hardware parts as the system boots up. If a part is faulty, the system notifies you with the LED and error messages.
- **Diagnostic tests**—more comprehensive tests of your system’s hardware. The system informs you if it finds a faulty part.
- **Confidence tests**—used if you think you have a problem with your keyboard, mouse, or monitor, or with a peripheral. The confidence tests verify which parts are working correctly.

### Power-On Tests

Table 6-1 briefly lists symptoms and probable causes during power-on diagnostics.

**Table 6-1** Troubleshooting Symptoms and Probable Causes

Symptom	System State	Cause
No LED	No power to unit	Power supply failure—check rear of unit for fan operation. Check system disk (green LED should flash during power-on). Possible CPU failure.
Solid amber LED		CPU board or graphics board failure.
Flashing amber LED	Memory diagnostic failure	SIMM failure. Check error messages for faulty SIMM.
No boot tune	No audio	Faulty speaker. Faulty CPU board. Volume set too low or to zero.
Solid green LED	System menu displayed on booting up	Diagnostics successful.
No LED on system disk	No system boot	Drive not all the way into slot—check drive. Drive failure—see your site administrator.
Diagnostic error messages, no login icons	Diagnostic failure No graphics	CPU failure. Graphics board failure. Monitor failure.



When you turn on the power switch, your system should go through these steps:

- The LED on the front of the machine turns amber and the system initiates Power-On Diagnostics.
- The system runs Power-On Diagnostics for about twenty seconds.
- When the system passes all Power-On tests, the LED turns green.
- The system boots IRIX.

If your system does not operate as described above, you may have a problem. Below is a list of possible symptoms, error messages and cures to fix your system or locate the faulty part.

#### **No Visible Light from the LED with No Error Message**

If during power-on, the system LED doesn't light up and no error message appears on the screen, check all cables. Make sure the cables are securely connected and the power cable is plugged into an outlet that works. Adjust the brightness control knob on the monitor to test for adequate light on the screen. If all the cables are connected and the symptoms remain, you may have a faulty power supply. To verify, look at the fan from the back of the system. The fan is just above the power outlets on the back of the Indigo chassis. Check for airflow and listen to hear if the fan is running. If the fan is not running, the power supply is faulty. Follow the instructions in "Ordering Replacement Parts" on page 135 to order a new power supply. Then go to "Replacing the Power Supply" on page 151 to remove the power supply, and then contact your service provider for further instructions.

#### **A Blinking Amber LED with No Error Message**

If the LED keeps blinking and no error message appears on the screen, one or more memory SIMMs may be faulty. Go to "Checking and Removing Memory" on page 156 to check that all SIMMs are seated all the way into the sockets. Then power the system on again. If the LED still blinks and the screen is blank, replace all four SIMMs. Follow the instructions in "Ordering Replacement Parts" on page 135 to order new SIMMS, and "Checking and Removing Memory" on page 156 to remove the faulty SIMMs. Then contact your service provider for further instructions.

### **A Blinking Amber LED with an Error Message**

If the LED stays blinking and a message appears on the screen, one or more SIMMs is faulty. Below is a list of messages and where to go from there:

1. If you see this message:

`No usable memory found. Make sure you have a full bank (4 SIMMs)`

Go to “Checking and Removing Memory” on page 156 to check that all your SIMMs are seated all the way into the sockets. Then power the system on again. If you get the same message, the SIMMs are faulty. Follow the instructions in “Checking and Removing Memory” on page 156 to remove the faulty SIMMs and then go to “Ordering Replacement Parts” on page 135 to order replacement SIMMs. Then contact your service provider for further instructions.

2. If you see this message:

`Check or replace: SIMM#`

Follow the instructions in “Checking and Removing Memory” on page 156 to make sure the indicated SIMM is seated all the way into its socket. # represents the SIMM number that failed the test (for example, SIMM A1, SIMM B1). Then power the system on again. If you get the same message, the SIMM is faulty. Follow the instructions in “Checking and Removing Memory” on page 156 to remove the faulty SIMM and then go to “Ordering Replacement Parts” on page 135 to order a replacement SIMM. Then contact your service provider for further instructions.

3. If you see this message:

`Memory is not usable. Check or replace all SIMMs.`

Follow the instructions in “Checking and Removing Memory” on page 156 to check that all your SIMMs are seated all the way into the sockets. Then power the system on again. If you get the error message, then all SIMMs are faulty. Follow the instructions in “Ordering Replacement Parts” on page 135 to order new SIMMs, and then follow the instructions in “Checking and Removing Memory” on page 156 to remove the faulty SIMMs. Then contact your service provider for further instructions.

### **A Solid Amber LED with No Error Message**

If the amber LED stays on without blinking or turning green, the memory is working but some other part is faulty.

If you hear a “bing” sound from the speaker, the graphics board has failed the test. Make sure the board is seated properly. Follow the instructions in “Replacing the Graphics Board” on page 136 to remove the graphics board and then re-install it, making sure the white ejector levers are properly secured. Then power up the system. If no message is displayed on the monitor, the graphics board is faulty. Follow the instructions in “Ordering Replacement Parts” on page 135 to order a replacement board. Then follow the instructions in “Replacing the Graphics Board” on page 136 to remove the board, and then contact your service provider for further instructions.

If you do not hear a “bing” sound from the speaker, make sure the monitor is plugged in and turned on, and the brightness control knob on the monitor is turned to provide adequate light to the screen. Also check to make sure the system disk is seated all the way in its slot. The green lever below the drive should be all the way to the right and line up with the green line on the front of the drive. Try powering on again. If an error message is still not displayed, the graphics board is faulty. Follow the instructions in “Ordering Replacement Parts” on page 135 to order a replacement board. Then follow the instructions in “Replacing the Graphics Board” on page 136 to remove the board, and contact your service provider for further instructions.

### **A Solid Amber LED with an Error Message**

If the LED stays amber and a message appears on the screen, one of your parts is faulty. Below is a list of error messages and where to go from there:

1. If you see this message:

Check or replace: Graphics board.

The graphics board has failed. First, make sure the board is seated properly. Follow the instructions in “Replacing the Graphics Board” on page 136 to remove the graphics board and re-install it, making sure the white ejector levers are securely fastened. Then power up the system. If you get the same error message, the graphics board is faulty. Follow the instructions in “Ordering Replacement Parts” on page 135 to order a replacement board. Then follow the instructions in “Replacing the Graphics Board” on page 136 to remove the board, and then contact your service provider for further instructions.

2. If you see this message:

Check or replace: CPU board

The CPU board has failed. First, make sure the board is seated properly. Follow the instructions in “Replacing the CPU Board or CPU Module” on page 141 to remove the CPU board and re-install it, making sure the white ejector clips are securely

fastened. Then power up the system. If you get the same error message, you have a faulty CPU board. Follow the instructions in “Ordering Replacement Parts” on page 135 to order a replacement board. Then follow the instructions in “Replacing the CPU Board or CPU Module” on page 141 to remove the board, and contact your service provider for further instructions.

3. The screen looks unusual.

Make sure all the cables are firmly connected, and the brightness control knob on the monitor is turned to provide adequate light to the screen. If the screen has lines through it, has “measles”, or looks unusual, the graphics board is faulty. Follow the instructions in “Ordering Replacement Parts” on page 135 to order a replacement board. Then follow the instructions in “Replacing the Graphics Board” on page 136 to remove the board, and contact your service provider for further instructions.

**Green LED But the Keyboard Doesn't Work**

If the mouse works but the keys on the keyboard don't, the keyboard is failing. Shut down your system and make sure the keyboard cable is connected firmly to the keyboard connector. Then turn the system on again. If the keyboard still doesn't work but the mouse does, turn the system off and reconnect the mouse and keyboard, but then connect the mouse to the other side of the keyboard. For example, if you had the mouse connected on the right side of the keyboard, reconnect the mouse on the left side and connect the keyboard to the workstation from the right side. Turn on the system.

If both the mouse and the keyboard don't work, the keyboard is faulty. Follow the instructions in “Ordering Replacement Parts” on page 135 to order a replacement keyboard. Then follow the instructions in “Replacing the Keyboard” on page 136 to remove the keyboard, and contact your service provider for further instructions.

**Green LED But the Mouse Doesn't Work**

If the mouse doesn't work, then either the keyboard or mouse have failed. Shut down your system. Make sure the mouse cable is connected firmly to the mouse connector and the keyboard cable to the keyboard connector. Then turn the system on again. If the keyboard and mouse still don't work, shut down the system and reconnect the mouse and keyboard, but connect the mouse to the other side of the keyboard. For example, if you had the mouse connected on the right side before, reconnect the mouse on the left side and connect the keyboard to the workstation from the right side. Power up the system.

If the mouse still doesn't work, you have a faulty mouse.

If the mouse works after switching connections, you have a faulty keyboard.

Follow the instructions in "Ordering Replacement Parts" on page 135 to order a replacement part. Then contact your service provider for further instructions.

## Interactive Diagnostic Environment (IDE) Tests

When you power on the system, power-on tests check the system's essential hardware components. Diagnostic tests give you a greater depth of testing capabilities. Diagnostic tests take about 30 minutes to run (it takes 15 minutes longer for each additional hard disk).

You can stop the tests at any time by pressing the *Esc* key.

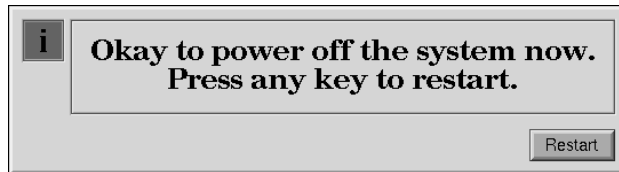
The system stops the testing if it finds any errors and reports any failures on the screen.

To run the diagnostic tests, follow these steps:

1. Shut down the system.
  - Place the cursor over the word "System" in the Toolchest in the upper left corner of your screen.
  - Press the left or right mouse button so that you see the menu.
  - Drag the cursor down the menu until "System Shutdown" is highlighted; then release the mouse button.

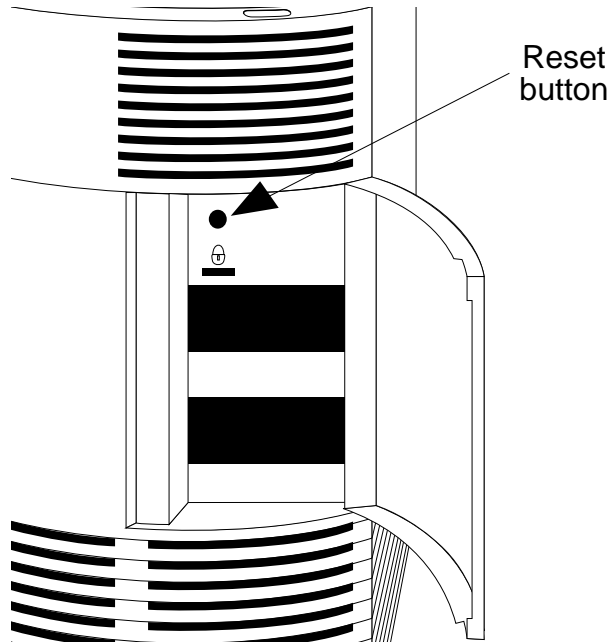
After a few seconds you see the notifier shown in Figure 6-1.

2. When you see the notifier shown in Figure 6-1, click on the *Restart* button.



**Figure 6-1** Okay to Power Off Notifier

3. If the system is malfunctioning and you cannot communicate with it using the mouse or keyboard, or over the network, then press the **RESET** button located behind the front door on the front of the Indigo chassis, as shown in Figure 6-2.

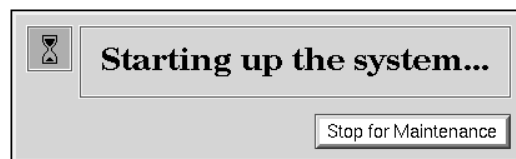


**Figure 6-2** Pressing the Reset Button

4. When you see the notifier shown in Figure 6-3, click *Stop for Maintenance*, or press **<Esc>**.

If you cannot reach this menu, your system is faulty. Contact your service organization.

The System Maintenance menu appears.



**Figure 6-3** Starting Up the System Notifier

5. Start diagnostics by clicking the *Diagnostics* icon or by typing:

3

6. You see a message similar to this:

```
SGI Version 5.2 IP22 IDE field
```

```
February 22, 1994
```

```
+
```

**Note:** If you do not see this message, you cannot run the diagnostics. You may have a faulty disk. Contact your service organization.

The character on the last line (next to the cursor) shows a spinning combination of slashes and dashes while the tests are running. Also, the LED on the front of the main unit blinks slowly throughout the testing process.

Included in the diagnostics is a series of graphics tests. During these tests, the screen goes blank and displays various images.

7. Watch for messages.

If the system's hardware is completely healthy, after 10 to 30 minutes (could be more if you have more than one hard disk) you'll see this message:

```
Diagnostic tests completed with no failures detected.
```

```
Press <Enter> to continue.
```

- Press <Enter> to return to the System Maintenance menu, where you can restart the system by selecting 1. If problems persist, or if you still cannot restart the system, you may have a software problem. See "Recovering From a System Crash" on page 129.

If the diagnostics find a problem, you see a message like this:

```
ERROR: Failure detected on the CPU module
```

or a message indicating a failure with the CPU baseboard, audio board, or graphics board.

- This means the part indicated has failed. Record this information.

You may also see other messages that report faulty peripherals or subsystems.

If an error message is displayed, follow the instructions in "Ordering, Removing and Installing Parts" on page 134 to order a replacement part. Then follow the instructions to remove the faulty part and contact your service provider for further instructions.



## Confidence Tests

If your keyboard, mouse, monitor, or audio subsystem, or one of the SCSI peripherals (excluding hard disks) isn't working properly, use the confidence tests to verify that each device is working. You must operate under the IRIX operating system to run these tests.

To run the confidence tests, follow these steps:

1. From the System toolchest, choose "Run Confidence Tests." You see the Confidence Tests form, as shown in Figure 6-4.



**Figure 6-4** Confidence Tests Form

You should have confidence tests for the following devices:

- keyboard
- monitor
- mouse
- tape drive
  - 1/4" tape drive
  - Digital Audio Tape Drive (DAT)
- floppy drive
- CD-ROM drive
- dial and button box

- digitizer tablet
- genlock
- Spaceball

If you run the confidence tests and you find one of the devices is faulty, follow the instructions in “Ordering Replacement Parts” on page 135 to order a replacement part. Then contact your service provider for further instructions.

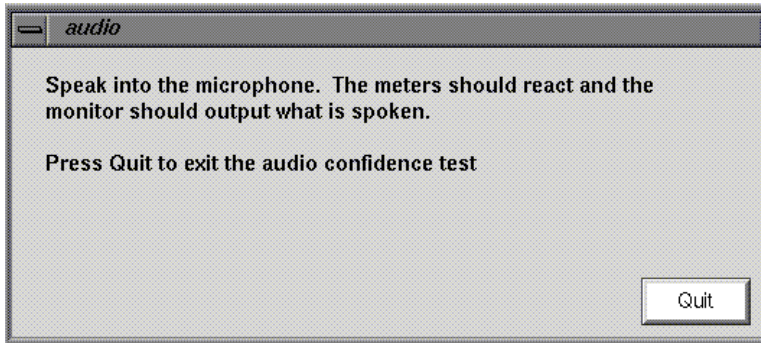
### Audio

If you are running an audio application and you do not hear the audio output, first make sure all cables are connected properly. Then use the confidence test to make sure the audio is functioning properly.

To test audio, follow these steps:

1. From the System toolchest, choose “Run Confidence Tests.” You see the Confidence Tests form, as shown in Figure 6-4.
2. Select the Audio icon and click *Open* or double-click the icon.

You see the form shown in Figure 6-5. The Audio Control Panel is also displayed.



**Figure 6-5** Audio Confidence Test Form

3. Follow the instructions on the form.

4. If your audio is still not responding, you may have a bad audio system. If this is the case, you must replace the CPU board. Follow the instructions in “Ordering Replacement Parts” on page 135 to order a replacement part.
5. Contact your service provider for further instructions.

### **Dial and Button, Tablet, Genlock, and Spaceball**

You can also run confidence tests for the dial and button box, digitizer tablet, Spaceball, and Genlock options. You'll find instructions on how to run each confidence test in the installation booklet that comes with each option.

### **CD-ROM Drive**

Before you run a confidence test on a CD-ROM drive, make sure it is correctly installed in your system. “Installing External Drives” in Chapter 4 tells you how to install a CD-ROM drive. If you suspect that there is a problem with the CD-ROM drive, first remove it and then reinstall it. If you still have problems, run the CD-ROM drive confidence test.

To run a CD-ROM drive confidence tests, follow these steps:

1. From the System toolchest, choose “Run Confidence Tests.” You see the Confidence Tests form, as shown in Figure 6-4.
2. Select the CD-ROM icon and click *Open* or double-click the icon.  
You see the CD-ROM drive confidence test form.
3. Start the CD-ROM drive test.
  - When you test the CD-ROM drive, load a CD into the drive. The CD test if the drive is readable.
  - Double-click the CD-ROM drive icon to start the test. You see CD-ROM drive test in progress.

When the test is complete, you see the CD-ROM drive test completion notifier.

4. Click *Continue* to dismiss the notifier.

If the drive doesn't pass the test, follow the instructions in "Ordering Replacement Parts" on page 135 to order a replacement part. Then contact your service provider for further instructions.

## Floppy Drive

Before you run a confidence test on a floppy drive, make sure it is correctly installed in your system. "Installing Internal Drives" in Chapter 4 tells you how to install a floppy drive. If you suspect that there is a problem with the floppy drive, first remove it and then reinstall it. If you still have problems, run the floppy drive confidence test.

To run a floppy drive confidence tests, follow these steps:

1. From the System toolchest, choose "Run Confidence Tests." You see the Confidence Tests form, shown in Figure 6-4.
2. Select the Floppy icon and click *Open* or double-click the icon.
3. Select the icon for your floppy drive and click *Open* or double-click the icon.
4. Select the density of the floppy you are using.

**Caution:** When you test the floppy drive, use a floppy disk that is blank or doesn't have information you need to keep. The floppy drive destroys any information on the floppy disk in the process of testing the hardware.

5. Insert the floppy into the floppy drive and click *Test*.

When the test is complete, you see the floppy drive test completion notifier.

6. Click *Continue* to dismiss the notifier.

If the drive doesn't pass the test, follow the instructions in "Ordering Replacement Parts" on page 135 to order a replacement part. Then contact your service provider for further instructions.

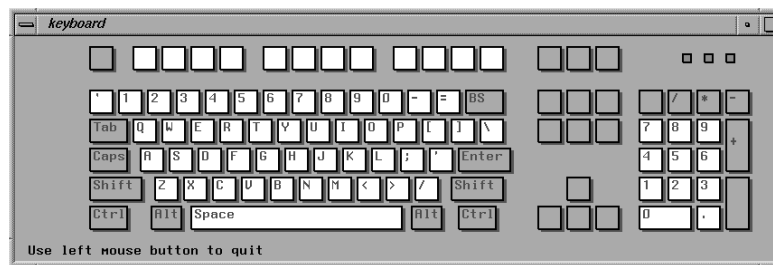
## Keyboard

The keyboard confidence test is useful if the keyboard is not responding to input. Before you run the confidence test on the keyboard, make sure that the cable that connects the keyboard to the system is firmly connected. Once you're sure the connection is good, use the confidence test to make sure that the keyboard it is working correctly.

To test the keyboard, follow these steps:

1. From the System toolchest, choose “Run Confidence Tests.” You see the Confidence Tests form, as shown in Figure 6-4.
2. Select the Keyboard icon and click *Open* or double-click the icon.

You see the form shown in Figure 6-6.



**Figure 6-6** Keyboard Test

3. To use the test, press the different keys on the keyboard. The picture on the screen should highlight the key that you press.

If the graphic doesn't reflect the key you press, you may have a problem with the keyboard or with the cable that connects the keyboard to the system.

If you're using a keyboard other than one supplied by Silicon Graphics, the key layout may be different.

Close the keyboard test by clicking on the button in the upper left-hand corner of the keyboard graphic and selecting *Quit*. The screen goes back to the way it was before you launched the confidence test.

If your keyboard does not work, follow the instructions in “Ordering Replacement Parts” on page 135 to order a replacement part. Then contact your service provider for further instructions.

## Monitor

If the monitor isn't working or the display is distorted, first check the cable that connects the monitor to the system. Also check to make sure the brightness knob is providing sufficient light to the screen, that the monitor video cable is firmly connected to both the monitor and the Indigo chassis, and the thumbscrews are screwed in all the way.

If you still have problems, use the confidence test to check that the monitor is working properly. Follow these steps to test the monitor:

1. From the System toolchest, choose “Run Confidence Tests.” You see the Confidence Tests form, as shown in Figure 6-4.
2. Open the Monitor icon.

- To launch the monitor confidence test, select the icon and click *Open*, or double-click the monitor icon.

The monitor test takes over the entire screen.

- To run one of the tests from the menu, click the mouse over the menu choice and see how the monitor responds.

3. Click *Quit* when you are finished.

When you click *Quit*, the screen goes back to the way it was before you launched the confidence test.

If the monitor tests indicates a failure, follow the instructions in “Ordering Replacement Parts” on page 135 to order a replacement part. Then contact your service provider for further instructions.

## Mouse

If the buttons on your mouse do not work, make sure the mouse cable is firmly connected to the keyboard. If the buttons still don’t work, you have a faulty mouse. Follow the instructions in “Ordering Replacement Parts” on page 135 to order a replacement mouse. Then contact your service provider for further instructions.

If the mouse is just behaving strangely or only one of the mouse buttons works, make sure the mouse cable is firmly connected to the keyboard. If the buttons still don’t work, try running the mouse confidence test.

Follow these steps:

1. From the System toolchest, choose “Run Confidence Tests.” You see the Confidence Tests form, as shown in Figure 6-4.
2. Open the Mouse icon.

To launch the mouse confidence test, select the icon and click *Open*, or double-click the mouse icon. When you start the mouse test, you see only a mouse on the screen.

3. Test the mouse by moving it around and pressing each button.

As you press each of the mouse buttons and move the mouse around, the movement is reflected on the screen. If the screen doesn't respond as you move the mouse or press the mouse buttons, the mouse may be faulty. If the mouse does not respond correctly, follow the instructions in "Ordering Replacement Parts" on page 135 to order a replacement mouse. Then contact your service provider for further instructions.

4. Close the mouse test by clicking on the button in the upper left-hand corner of the window and selecting *Quit*. The screen goes back to the way it was when you launched the confidence test.

### Quarter Inch Tape and Digital Audio Tape Drives

Before you run a confidence test on a tape drive, make sure it is correctly installed on your system. If you suspect that there is a problem with the tape drive, first remove it and install it again. If you still have problems, run the appropriate tape drive confidence test.

To run a tape drive confidence tests, follow these steps:

1. From the System toolchest, choose "Run Confidence Tests." You see the Confidence Tests form, as shown in Figure 6-4.
2. Open the Tape icon.
  - To open the tape drive confidence test, select the tape drive icon and click *Open* or double-click on the icon.
  - Click on the icon representing the tape drive you have.
3. Insert a tape into the drive.

*Use a tape that is blank or doesn't have information you need to keep. The tape drive destroys any information on the tape in the process of testing the hardware.*
4. Start the tape drive test.
  - Double-click the tape drive icon to start the test.

When the test is complete, you see the tape drive test completion notifier.
5. Click *Continue* to dismiss the notifier.

If the drive doesn't pass the test, follow the instructions in "Ordering Replacement Parts" on page 135 to order a replacement drive. Then contact your service provider for further instructions.

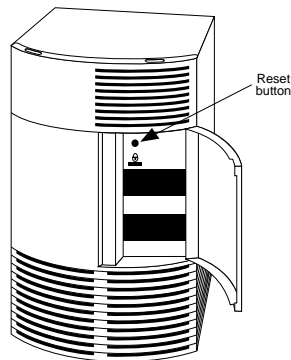


## Recovering From a System Crash

If your system crashes because of a software malfunction, you must first use the IRIX CD that came with your system. Then you can recover your data from your most recent full backup tape. The backup tape must be one that has been made using the System Manager backup tool, or with the `/usr/sbin/Backup` script.

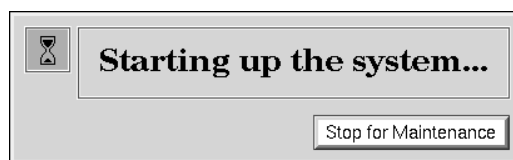
To recover from a system crash, follow these steps:

1. If the system is malfunctioning and you cannot communicate with it using the mouse or keyboard, or over the network, press the **Reset** button located behind the front door, as shown in Figure 6-7.



**Figure 6-7** Pressing the Reset Button

2. When the system startup notifier appears, as shown in Figure 6-8, click *Stop for Maintenance* or press `<Esc>` to bring up the System Maintenance menu.



**Figure 6-8** System Startup Notifier

- Click the *Recover System* icon in the System Maintenance menu, or type:

4

**Note:** If you are using an ASCII terminal, type **4** at the System Maintenance menu.

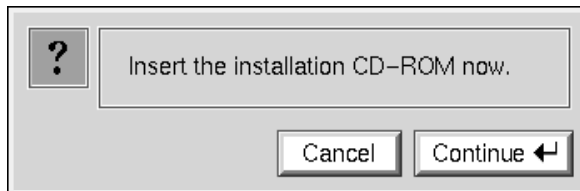
The System Recovery menu appears, as shown in Figure 6-9.



**Figure 6-9** System Recovery Menu

3. Click the appropriate drive icon from which you want to recover the software. For example, if you have a CD-ROM drive connected to your system, click the *Local CD-ROM* icon. Then click *Accept* to start.

You then see the notifier shown in Figure 6-10, prompting you to insert the media into the drive.



**Figure 6-10** Media Request Notifier

If you don't have a CD-ROM drive, you can use a drive that is connected to another system on the network. At the System Recovery menu, click the *Remote Directory* icon. When a notifier appears asking you for the remote hostname, type the system's name, a colon (:), and the full pathname of the CD-ROM drive, followed by `/dist`. For example, to access a CD-ROM drive on the system *mars*, you would type:

```
mars:/CDROM/dist
```

4. Insert the IRIX CD that came with your system, then click *Continue*.

The CD-ROM drive begins reading information from the CD. The system takes approximately 5 minutes to copy the information that it needs from the CD.

5. After everything is copied from the CD to the system disk, you can restore your data from a recent full backup tape. The backup must be one that has been made using the System Manager backup tool, or with the `/usr/sbin/Backup` script.

Note that if you need to check something on your system or do anything special, you can get a shell prompt by typing `sh` at most question prompts.

You see the following messages.

```
*****
SYSTEM RECOVERY
*****
```

6. If you have a local tape device, you see this message:

```
Restore will be from <tapename> OK? ([Y]es, [N]o): [Y]
```

where `<tapename>` is the name of the local tape device.

7. If you have a remote (network) tape device, when no tape device is found, or when you answered “No” to the question in the previous bullet, you see this message:

```
Remote or local restore ([r]remote, [l]local):
```

- If you answer “remote,” you have chosen to restore from the network and you are then asked to enter the following information:

- the hostname of the remote system
- the name of the tape device on the remote system
- the IP address of the remote system
- the IP address of your system.

The IP address must consist of two to four numbers, separated by periods, such as 192.0.2.1

- If you answer “local,” you have chosen a tape device that is connected to your system, and you are then asked to enter the name of the tape device.

8. When you see the following message, remove the CD-ROM, insert your most recent full backup tape, then press <Enter>.

```
Insert the first backup tape in the drive, then press <Enter>,
[q]uit (from recovery), [r]estart:
```

9. There is a pause while the program retrieves several files from the tape describing the system state at the time the backup was made. Then you see this message:

```
Erase /x filesystem and make new one (y,n)? [n]
```

where *x* is the file system. It prompts you for every file system that was known at the time of the backup.

Answer by typing either *y* or *n*.

- If you answer no to this question, the system tries to salvage as many files as possible, then it uses your backup tape to replace the files it could not salvage. Usually you should answer *n* for no, especially if your backup tape is not very recent. If the file systems were badly damaged, or the backup was from a different level operating system, you may need to answer yes.
- If you answer yes to this question, the system erases the file system and copies everything from your backup tape to the disk. The system loses any information on that filesystem that you created between now and when you made your backup tape.

10. You see this message:

Starting recovery from tape.

After two or three minutes, the names of the files that the system is copying to the disk start scrolling. When the recovery is complete, you see this message:

Recovery complete, restarting system.

Then the system restarts.

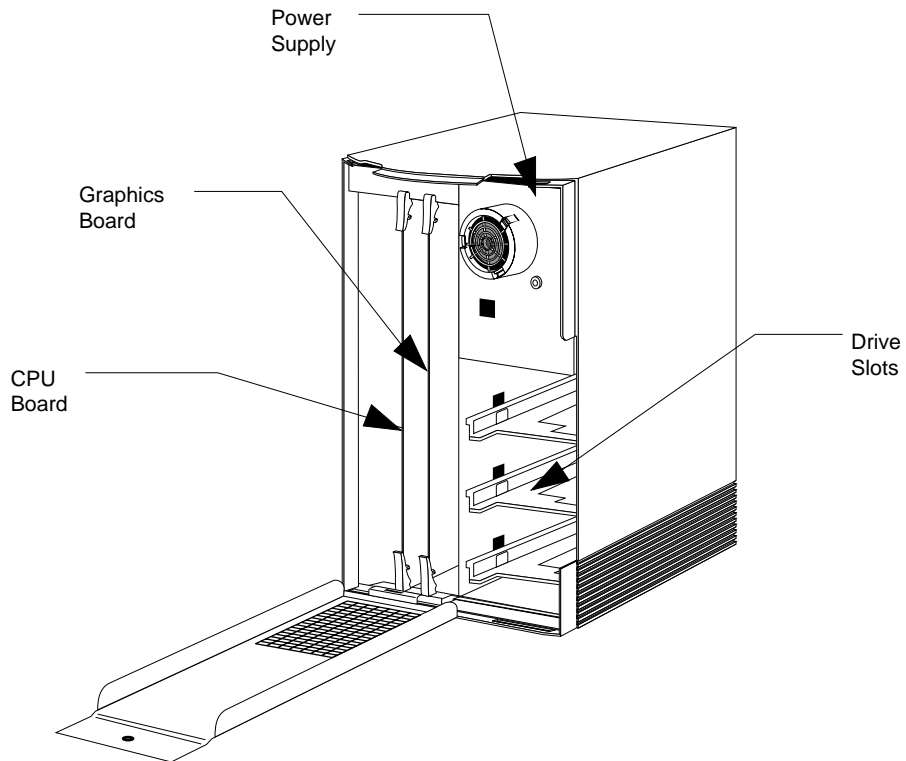
When you see the login screen, the system is ready to go.

**Note:** If your backup tapes were old, or you were changing your operating system level, you should reinstall the operating system from the IRIX CD that came with your system after System Recovery is complete. When you see the “Starting up the system” notifier, press <Esc>, or click on *Stop for Maintenance*. Then click the *Install System Software* icon. For more information on installing the operating system, go to Chapter 5, “Installing and Removing Software.”

## Ordering, Removing and Installing Parts

This system is designed so that you can maintain it. If diagnostic tests identify a faulty part, you must order a replacement part, remove the faulty part, and install a replacement part. Contact your service organization before removing the faulty part.

Parts are available to users from authorized service organizations. Figure 6-11 shows the names and locations of each user-replaceable part inside the system.



**Figure 6-11** Replaceable Indigo Parts

## Ordering Replacement Parts

If diagnostics have identified a faulty part, follow these steps to order a replacement:

1. Copy the “Part Request Form” directly from the last page of this *Owner’s Guide*.
2. Note the name of the faulty part on the copy of the form.
3. Note the serial number on your system. The number is on a label on the back of the system.
4. If the faulty part resides outside the main system, note the part number of the part. If the faulty part resides inside the main system, refer to “Removing and Installing Parts” and the chart to identify the part number. If the part number can be seen without removing the part, record the part number without removing the part. Close the system and contact your service provider for further instructions.
5. Your service provider will ask you for the system serial number, configuration information, the faulty part’s part number and a description of the problem.

If the service provider asks you to ship the faulty part to them, include your copy of the “Part Request Form” with the faulty part in the packaging used for shipment.

For maximum protection to the part, use two sturdy boxes for shipping. Graphics boards, CPU boards, and SIMM modules are extremely sensitive to static electricity. Whenever possible, package them in anti-static bags.

Place the faulty part and “Part Request Form” into one of the two boxes. Pack them in plenty of packing material so the part won’t sustain further damage. Tape the box securely.

**Note:** If the CPU board is to be returned, remove all SIMMs before packaging the board. Your service provider will send a replacement CPU board without memory. Follow instructions in “Ordering Replacement Parts” on page 135 to remove the SIMM modules.

Place the box containing the faulty part into a larger box and fill the empty space with packing materials. Tape the box securely and affix a mailing label. Ship the box to your service provider.

## Removing and Installing Parts

The sections below tell you how to remove and the re-install the replaceable IRIS Indigo parts.

### Replacing the Keyboard

Follow these steps to replace the keyboard:

1. Shut down and turn off the system.
  - From the System toolchest, choose “System Shutdown.” The toolchests are shown in Figure 6-12.
  - Turn off the power switch on the back of the Indigo chassis.
2. Disconnect the mouse from the keyboard and then disconnect the cable from the keyboard and from the main unit.
3. Connect one end of the new keyboard cable to the port labelled with the keyboard icon on the back of the main unit.
4. Plug the other end of the cable into one side of the keyboard.
5. Plug the mouse into the other side of the keyboard.
6. Turn on the system.



**Figure 6-12**  
The Toolchests

### Replacing the Graphics Board

To replace the graphics board, you’ll shut down the system, remove the covers and graphics board, install the new board, and replace the covers.

#### Shutting Down the System

To shut down the system, follow these steps:

1. Shut down and turn off the system.
  - From the System toolchest, choose “System Shutdown.” The toolchests are shown in Figure 6-13.
  - Turn off the power switch on the back of the Indigo chassis.
2. Disconnect all the cables from the back of the IRIS Indigo workstation.  
Make sure to disconnect the black power cable.



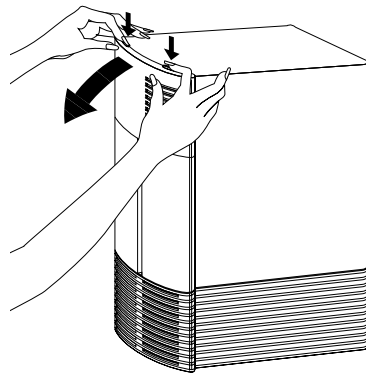
**Figure 6-13**  
The Toolchests



### Removing the Covers and Graphics Board

Once the system is shut down and all the cables are disconnected, follow these steps:

1. Remove the plastic front cover.
  - Face the front of the Indigo chassis.
  - Two tabs on top of the front cover hold it in place.
  - Press down on the tabs and pull the panel away from the chassis, as shown in Figure 6-14.



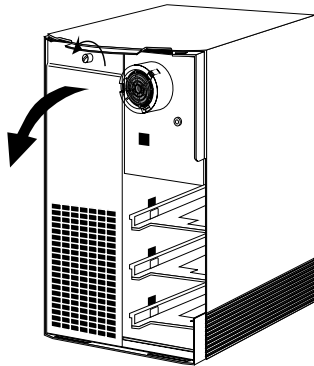
**Figure 6-14** Removing the Plastic Cover of the Indigo Chassis

**Caution:** The graphics board is extremely sensitive to static electricity; you must wear the wrist strap while removing it. The wrist strap prevents the flow of static electricity, which could damage the board.

2. Ground yourself to the metal part of the chassis.
  - Put the wrist strap over your wrist making sure it is tight against your arm, and then attach its alligator clip to a metal part of the chassis. The notch above the top drive slot works well.
3. Open the front metal panel.

A thumbscrew holds the metal panel in place.

  - Loosen the panel by unscrewing the thumbscrew, as shown in Figure 6-15.
  - Tilt the panel down until it rests on the flat surface.



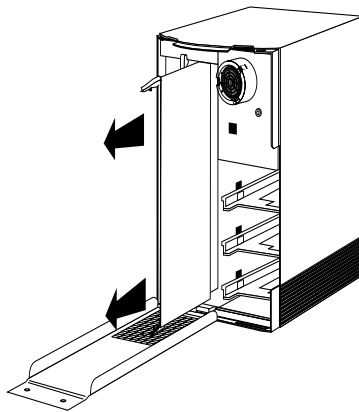
**Figure 6-15** Opening the Front Metal Panel

4. Remove the graphics board.

You see two boards inside the Indigo chassis; the right board is the graphics board.

Two levers hold the board in place.

- Pull the levers towards you to release the board, as shown in Figure 6-16. The board slides out of the chassis as you pull the levers.



**Figure 6-16** Removing the Graphics Board From the Indigo Chassis

- Slide the board out of the slot and set it down on a flat, anti-static surface so the side with the large chips on it faces up.

## Replacing the Graphics Board and Covers

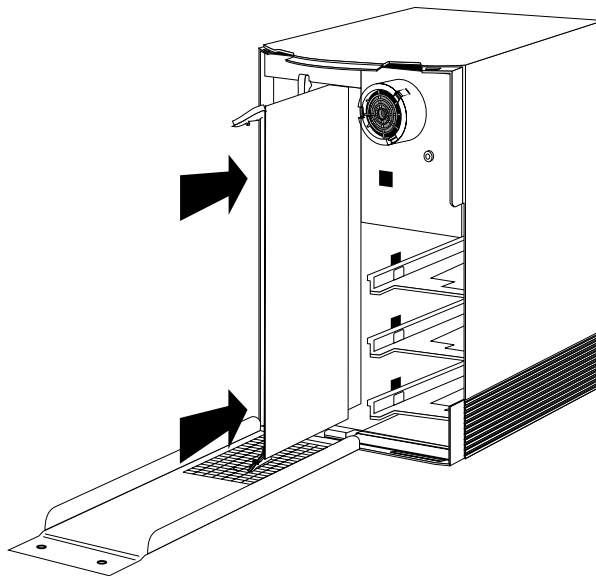
To replace the graphics board and all the covers, follow these steps:

1. Position the board for installation.
  - Face the front of the Indigo chassis.
  - Make sure the alligator clip of your wrist strap is still attached to a metal part of the chassis.
  - Place the board in the Indigo chassis so it lines up with the card guides, and the lever labelled **Graphics** lines up with **Graphics** above the card guides.

The card guides hold the board in the top and bottom of the chassis.

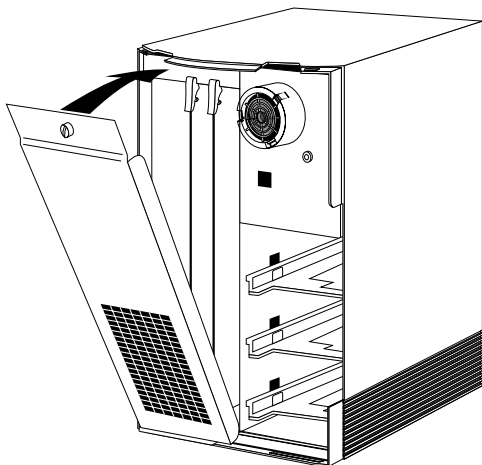
2. Slide the board into the Indigo chassis.
  - Slide the board in almost all the way, as shown in Figure 6-17.

Make sure the notch in the top lever goes under the top edge of the chassis.



**Figure 6-17** Installing the Graphics Board

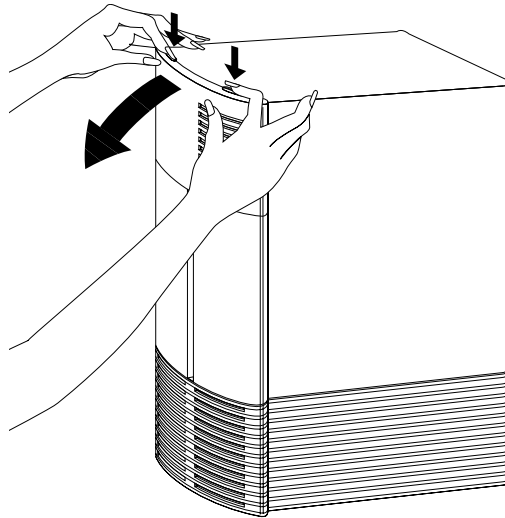
3. Return the levers to their original position. The levers should snap in place.
4. Replace the front metal panel.
  - Tilt the metal panel back up to the Indigo chassis, as shown in Figure 6-18.



**Figure 6-18** Tilting the Metal Panel Up to the Indigo

- Screw the thumbscrew back in to secure the panel. The panel should be snug against the chassis.

5. Replace the front plastic cover.
  - Place the bottom of the front cover in the guides on the bottom of the Indigo chassis.
  - Tilt the panel up to the chassis, as shown in Figure 6-19. The cover snaps in place.



**Figure 6-19** Replacing the Front Plastic Cover

6. Reconnect the cables to the connectors on the back of the system.

You are finished installing the graphics board and ready to start up the system.

### **Replacing the CPU Board or CPU Module**

If you have an IRIS Indigo R3000 workstation, replace the CPU board. If you have an IRIS Indigo R4000 family workstation, replace only the CPU module on the board.

To replace the CPU board, shut down the system, remove the covers and CPU board, install the new board, and replace the covers. If you are replacing the CPU module, you must remove it from the CPU board, and install the new module.



**Figure 6-20**  
The Toolchests

### Shutting Down the System

To shut down the system, follow these steps:

1. Shut down and turn off the system.
  - From the System toolchest, choose “System Shutdown.” The toolchests are shown in Figure 6-20.
  - Turn off the power switch on the back of the Indigo chassis.
2. Disconnect the cables from the back of the workstation.

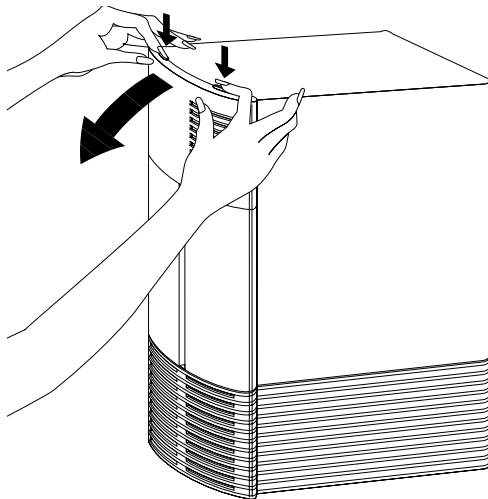
Make sure to disconnect the black power cable.

### Removing the Covers and CPU Board

Once the system is shut down and all the cables are disconnected, follow these steps:

1. Remove the plastic front cover.
  - Face the front of the Indigo chassis.

Two tabs on top of the front cover hold it in place.
  - Press down on the tabs and pull the panel away from the chassis, as shown in Figure 6-21.



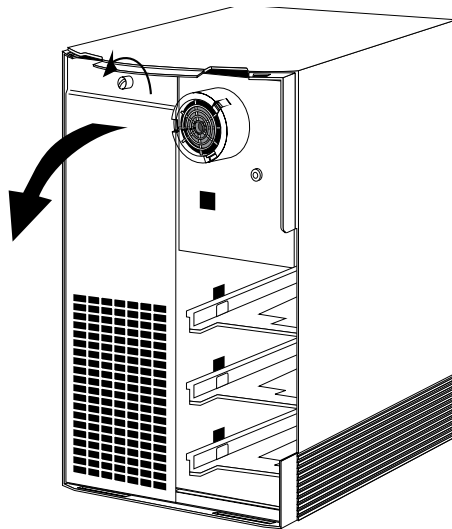
**Figure 6-21** Removing the Plastic Cover From the Indigo Chassis

**Caution:** The CPU board is extremely sensitive to static electricity; you must wear the wrist strap while removing it. The wrist strap prevents the flow of static electricity, which could damage the board.

2. Ground yourself to the metal part of the Indigo.
  - Put the wrist strap over your wrist and pull it tight, and then attach its alligator clip to a metal part of the Indigo. The notch above the top drive slot works well.
3. Open the front metal panel.

A thumbscrew holds the metal panel in place.

  - Loosen the panel by unscrewing the thumbscrew, as shown in Figure 6-22.
  - Tilt the panel down until it rests on the flat surface.



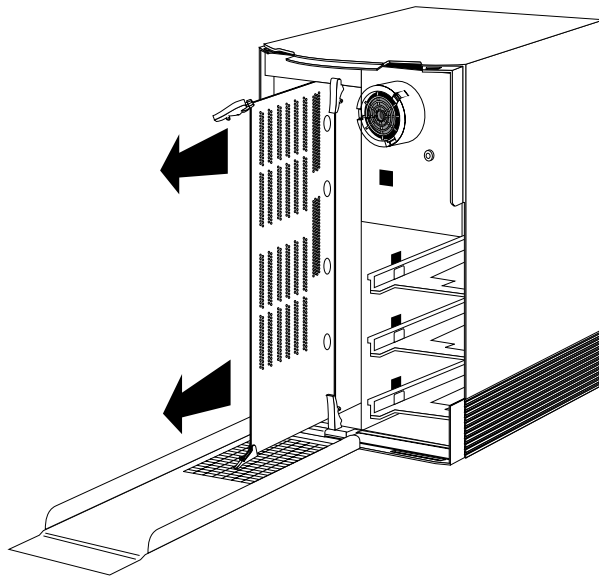
**Figure 6-22** Opening the Front Metal Panel

4. Remove the CPU board.

You see two boards inside the Indigo chassis; the left board is the CPU board and is labelled CPU.

Two levers hold the board in place.

- Pull the levers toward you to release the board. The board slides out of the chassis as you pull the levers, as shown in Figure 6-23.



**Figure 6-23** Removing the CPU Board From the Indigo Chassis

- Slide the board out of the slot and set it down on a flat, anti-static surface, so that the side with the large chips faces up.

If you are replacing the CPU module, turn to “Replacing the CPU Module” on page 145. If you are replacing only the CPU board, turn to “Replacing the CPU Board and Covers” on page 148.



### Replacing the CPU Module

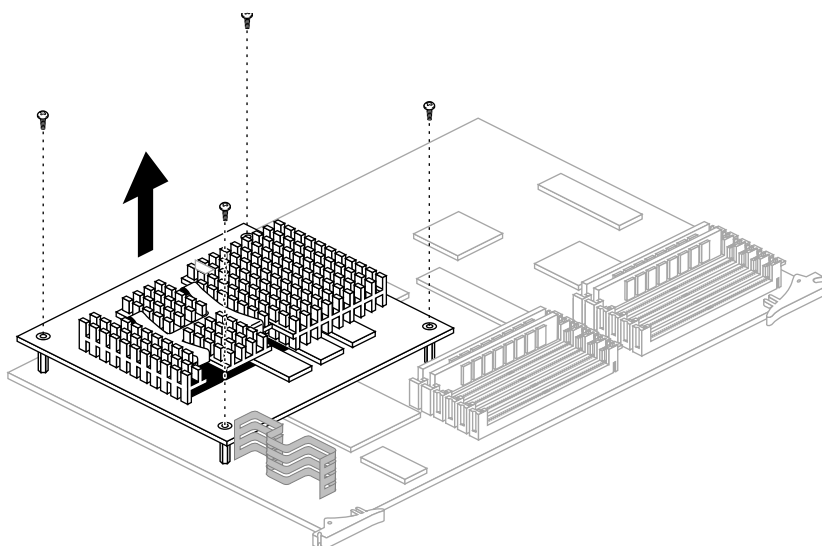
To replace the CPU module on the Indigo R4000 family CPU board, follow these instructions:

1. Locate the CPU module.

**Note:** The CPU module on your workstation may look different than the one shown in Figure 6-24.

- The CPU module is the large elevated module on the CPU board. It is protected by a metal shield.
2. Ground yourself to the metal part of the CPU board.
    - Keeping the wrist strap around your wrist, attach the alligator clip to a metal part of the CPU board.

3. Remove the CPU module.
  - Remove the four screws that attach the CPU module to the board, as shown in Figure 6-24.
  - Disconnect the module connector from the socket on the board by lifting up on the sides of the module and rocking it from side to side.
  - Lift the module up and away from the board.

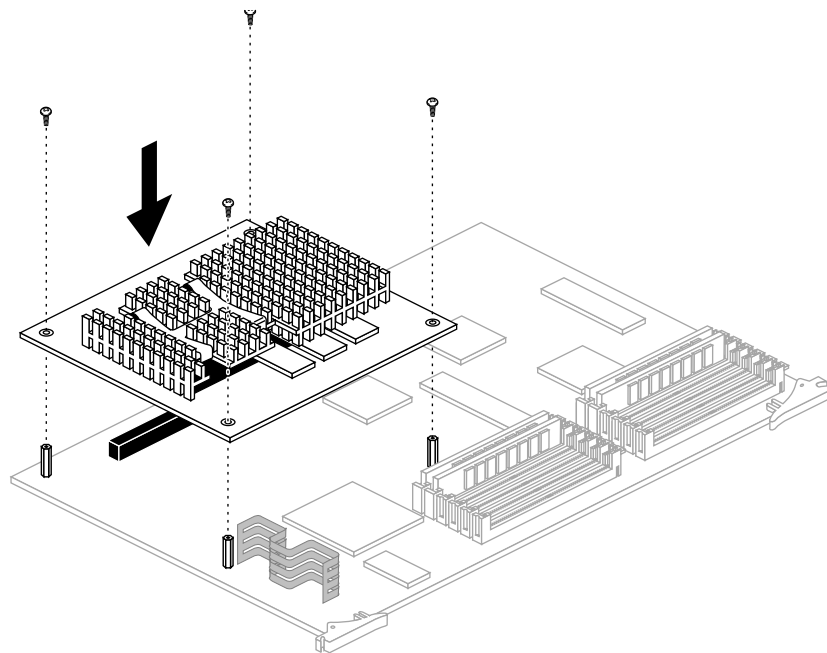


**Figure 6-24** Removing the CPU Module

4. Install the new CPU module.

**Note:** The CPU module on your workstation may look different than the one shown in Figure 6-25.

- Position the new module so the connector on the bottom of the module aligns with the socket on the board, as shown in Figure 6-25.
- Press down on top of the module connector until it is securely attached to the socket on the board.
- Replace the four screws.



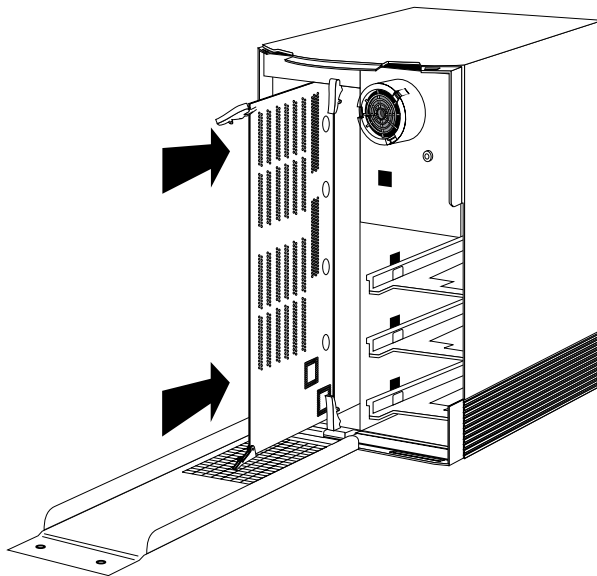
**Figure 6-25** Installing the CPU Module

### Replacing the CPU Board and Covers

To replace the CPU board and all the covers, follow these steps:

1. Position the board for installation.
  - Face the front of the Indigo chassis.
  - Make sure the alligator clip of your wrist strap is attached to a metal part of the Indigo chassis.
  - Place the board in the chassis so the lever labelled **CPU** lines up with **CPU** on the Indigo chassis. The SIMMs should be facing left, as shown in Figure 6-26.

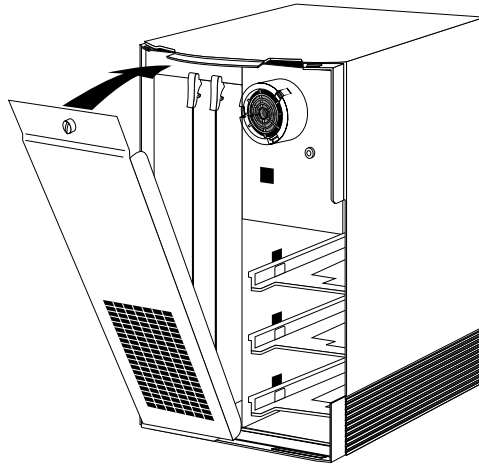
**Tip:** The card guides hold the board in the top and bottom of the chassis.



**Figure 6-26** Installing the CPU Board

2. Slide the board into the Indigo chassis.
  - Slide the board in almost all the way.  
Make sure the notch in the top lever goes under the top edge of the chassis.
3. Return the levers to their original positions.

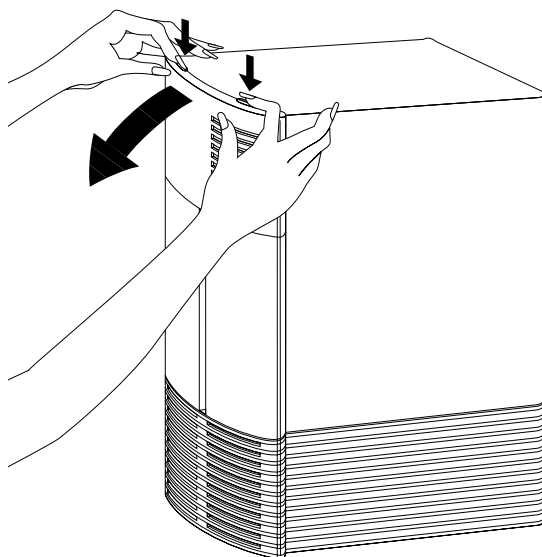
4. Replace the front metal panel.
  - Tilt the metal panel back up to the Indigo chassis, as shown in Figure 6-27.



**Figure 6-27** Tilting the Metal Panel Up to the Chassis

- Screw the thumbscrew back in to secure the panel. The panel should be snug against the chassis.

5. Replace the front plastic cover.
  - Place the bottom of the front cover in the guides on the bottom of the Indigo chassis.
  - Tilt the panel up to the Indigo chassis, as shown in Figure 6-28. The cover snaps in place.



**Figure 6-28** Replacing the Front Plastic Cover

6. Reconnect the cables to the connectors on the back of the system.

You are finished replacing the CPU board and ready to start up the system.

## Replacing the Power Supply

To replace the power supply, you'll shut down the system, remove the power supply, and, when you receive a replacement, use the information below to install it.



**Figure 6-29**  
The Toolchests

### Shutting Down the System

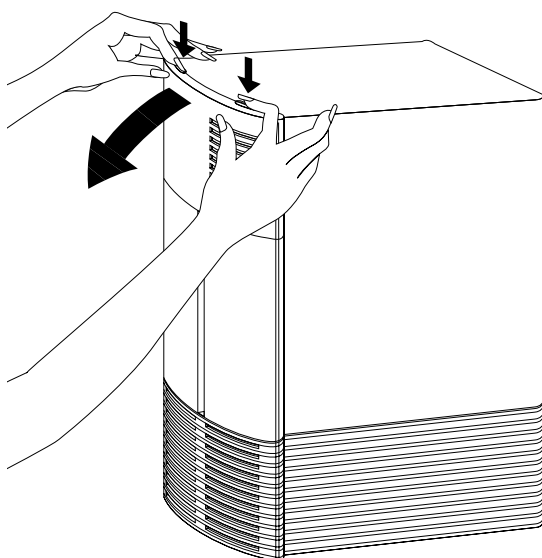
To shut down the system, follow these steps:

1. Shut down and turn off the system.
  - From the System toolchest, choose "System Shutdown." The toolchests are shown in Figure 6-29.
  - Turn off the power switch on the back of the Indigo chassis.
2. Disconnect the power cables from the back of the Indigo chassis.
  - Disconnect both the system power cable and the monitor power cable.

### Removing the Covers and Power Supply

Once the system is shut down and all the cables are disconnected, follow these steps:

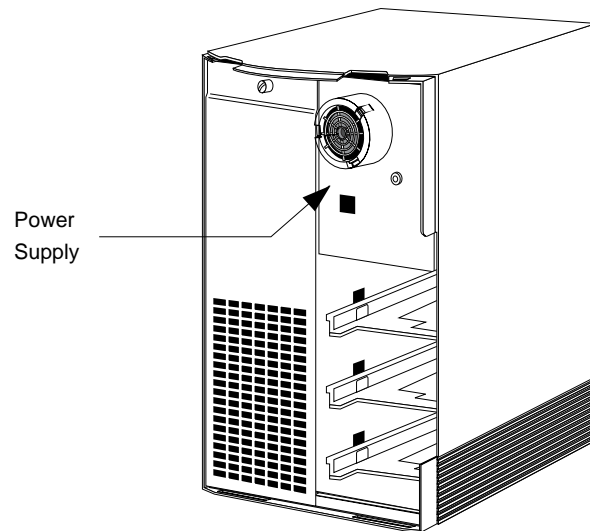
1. Remove the plastic front cover.
  - Face the front of the Indigo chassis.  
Two tabs on top of the front cover hold it in place.
  - Press down on the tabs and pull the panel away from the chassis, as shown in Figure 6-30.



**Figure 6-30** Removing the Plastic Cover of the Indigo Chassis



The power supply is the metal box in the upper right corner, as shown in Figure 6-31.



**Figure 6-31** Locating the Power Supply

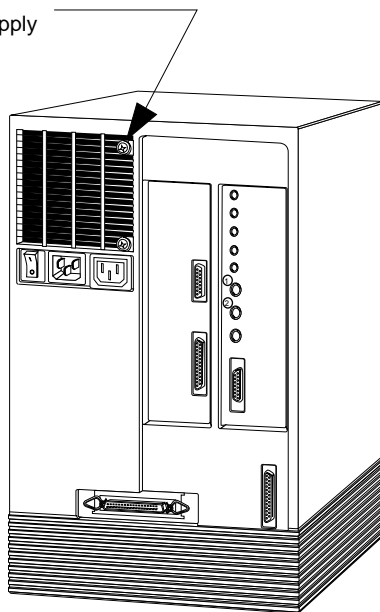
2. Remove the screw that holds the power supply.

- Face the back of the main unit.

Locate the screw on the back of the power supply, as shown in Figure 6-32.

- Use a Phillips screwdriver to remove the screw.

Remove this screw to  
remove power supply



**Figure 6-32** Screw that Secures the Power Supply

3. Push the power supply out of the Indigo chassis.

Push the power supply from the back by pushing against the power outlets.

### **Installing the Power Supply**

To install the power supply, follow these steps:

1. Slide the power supply into the front of the Indigo chassis so the fan faces the back of the unit and the speaker faces you.
2. Replace the screw that holds the power supply.
  - Face the back of the Indigo chassis.
  - Replace the screw in the hole that you removed it from.
3. Reconnect all the power cables.

## Checking and Removing Memory

Before removing memory, check to make sure all SIMMs are seated correctly in their slots.

1. Remove covers and the CPU Board.  
Follow the instructions in “Replacing the CPU Board or CPU Module” on page 141.
2. Set the CPU board down on a flat, anti-static surface so the side with the large chips faces up.
3. Check to see that all the SIMMs are installed correctly.

If you have an IRIS Indigo R3000 system:

- A SIMM is installed correctly when you see no space between the socket and the bottom row of small chips, and you cannot easily lift the white lever.
- The white tool is for removing the SIMM. If you can easily lift the tool, the SIMM isn't in all the way. Press down on both sides of the SIMM to push it further into the socket.

If you have an IRIS Indigo R4000 family system:

- A SIMM is installed correctly when it is vertical and perpendicular to the CPU board, and the latches on the sides of the SIMM fit snugly around it.
4. Once the SIMMs are all the way in, replace the CPU board and power up the system. See “Replacing the CPU Board and Covers” on page 148 for instructions.
  5. If the error message still says:

Check or replace SIMM#

You have a faulty SIMM. Follow the instructions in “Ordering Replacement Parts” on page 135. Then contact your service provider for further instructions.

## Replacing SCSI Devices

To replace an external SCSI device, you'll unmount the device (if it was mounted), power down the system, disconnect the device, connect the new device, and power up the system.



**Figure 6-33**  
The Toolchests

### Disconnecting the Device

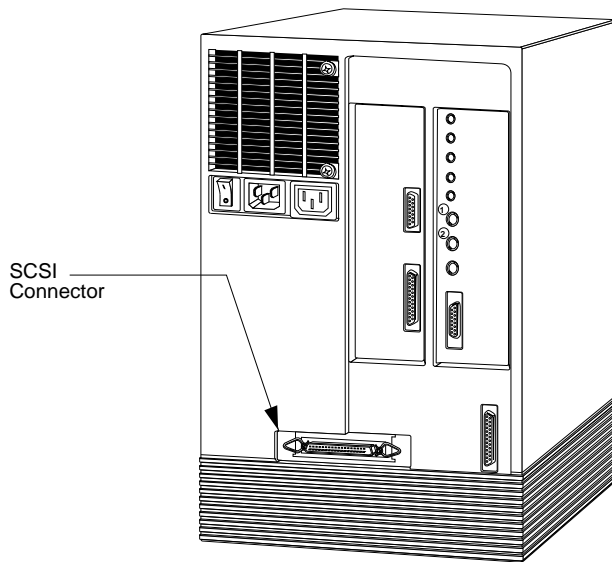
Follow the steps below to disconnect the device from your IRIS Indigo workstation.

1. Power down your system.
  - From the System toolchest, choose “System Shutdown.” The toolchests are shown in Figure 6-33.
  - Turn off your system.
  - Turn off the external SCSI device.
2. Disconnect the power cable from the SCSI device.
3. Disconnect the SCSI cable from the back of the Indigo chassis by unclipping the metal clips on both sides of the connector and then pulling the connector off.

**Note:** If you are not going to install another external device, replace the terminator on your Indigo.

- Remove the terminator (the metal cap) from the SCSI connector on the back of the SCSI device by unclipping the metal clips on both sides of the terminator and then pulling the terminator off.

- Gently put the terminator on SCSI connector on the back of the Indigo chassis, as shown in Figure 6-34, and secure the clips on each side of the terminator.
- The SCSI connector is designed so you can put the terminator on only one way, if you do not force it.



**Figure 6-34** SCSI Connector on the Back of the Chassis

### Installing the New Device

To install the replacement external SCSI device, follow the instructions in “Installing External Devices” in Chapter 4.

## Replacing Internal Drives

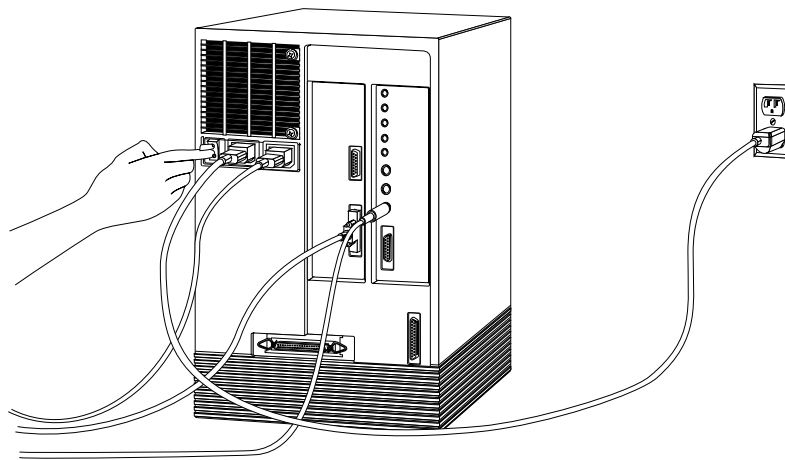
To replace an internal drive, you'll power down the system, remove the covers and then the drive, install the new drive, and power up the system. Internal drives include the system disk drive, a secondary hard disk drive, a floppy or optical disk drive, and a DAT drive.

**Caution:** Drives are sensitive pieces of equipment. Handle your drive carefully. Do not drop it or otherwise abuse it.

### Removing the Drive

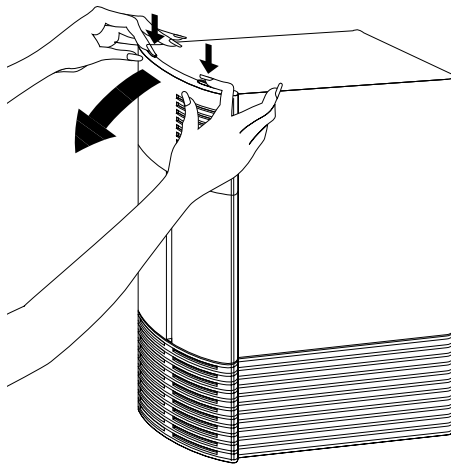
To remove the drive, follow these steps:

1. Power down the system.
  - Choose "System Shutdown" from the System menu in the Toolchest.
  - The Toolchest is in the upper left corner of your screen.
  - Turn off the power switch on the back of the workstation, as shown in Figure 6-35.



**Figure 6-35** Turning off the Power Switch

2. Remove the front cover.
  - Face the front of the Indigo chassis.  
Two tabs on top of the front cover hold it in place.
  - Press down on the tabs and pull the cover away from the chassis, as shown in Figure 6-36.



**Figure 6-36** Removing the Front Plastic Cover of the Indigo Chassis

3. Remove the drive.
  - Push the green lever below the drive all the way to the left.  
This should release the drive.
  - Pull the drive all the way out of the slot.

#### **Installing the New Drive**

To install the new drive, follow the instructions in “Installing Internal Drives” in Chapter 4.



## **Service and Support Information**

When you purchased your system, you may have purchased a support program from either Silicon Graphics, or a vendor who supplies software. Whenever you encounter any problems that you cannot solve using the methods in this chapter, contact the organization from which you purchased the support program.

If you would like support for the products you bought from Silicon Graphics, contact your service provider.



## **Safety, Maintenance, and Regulatory Information**

This chapter provides guidelines for adjusting your work surface and environment to increase your comfort and safety. It also contains regulatory statements.



---

## Safety, Maintenance, and Regulatory Information

This chapter gives you some important information on safety and comfort, as well as some helpful hints on maintaining your IRIS Indigo workstation. It also provides important regulatory information.

### Maintaining Your Hardware and Software

This section gives you some basic guidelines to follow to keep your hardware, and the software that runs on it, in good working order.

#### Hardware Do's and Don'ts

To keep your workstation in good running order, try to remember these guidelines.

Do not

- enclose the workstation in a small, poorly ventilated area (such as a closet), crowd other large objects around it, or drape anything (such as a jacket or blanket) over the top
- use the workstation as a shelf or table
- run the workstation with the front plastic cover off; this alters the air flow
- connect cables (other than audio) or add other hardware components while the workstation is turned on
- power down the workstation frequently; leave it running over nights and weekends if possible
- move the workstation while it is running, or within 1 minute of powering it down; it contains a hard disk that may be damaged
- lay the workstation on its side
- use an adapter to plug the workstation into a two-prong (ungrounded) outlet

- place liquids, food, or heavy objects on the workstation or keyboard
- dangle the mouse by its cable or throw the mouse at co-workers

Do

- plug in all cables completely
- plug the workstation into a power surge protection strip (if possible)

### **Software Do's and Don'ts**

When your system is up and running, follow these guidelines.

Do not

- turn off power to a workstation that is currently started up and running software
- use the root account unless you are performing administrative tasks

Do

- make regular backups (weekly for the whole system, nightly for individual users) of all information
- protect the root account with a password
- protect all open accounts (such as lp, guest, and so on) with a password, if your system is connected to the Internet

### **Human Factors Guidelines for Setting up your IRIS Indigo Workstation**

You can increase the comfort and safety of your work environment, and decrease your chances of cumulative trauma disorders, by following the guidelines given below. These guidelines will help you to create a healthy and productive work environment by:

- using your workstation correctly
- properly choosing a site for your system and its components
- setting up your desk and chair correctly

## ANSI Standard for Visual Display Terminal (VDT) Workstations

Table 7-1 shows recommended guidelines for furniture and system adjustment, as developed by the American National Standards Institute (ANSI).<sup>1</sup>

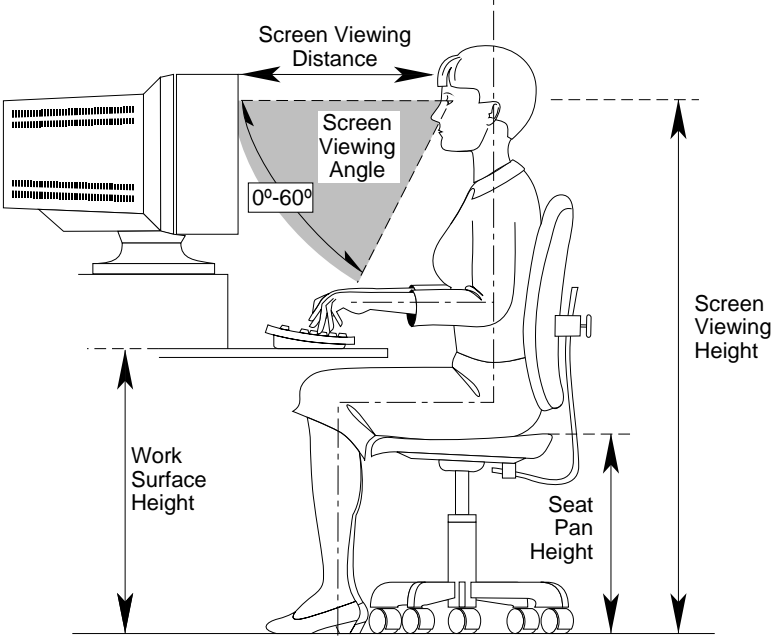
Local VDT guidelines issued by country, state, or municipality may apply and supercede the guidelines in Table 7-1.

**Table 7-1** ANSI/HFS 100-1988 Guidelines for VDT Workplace Adjustment

Adjustment	Small Female cm (in)	Midpoint cm (in)	Large Male cm (in)
Seat pan height	40.6 (16.0)	46.3 (18.2)	52.0 (20.5)
Work surface height (keyboard and mouse)	58.5 (23.0)	64.75 (25.5)	71.0 (28.0)
Screen viewing height	103.1 (40.6)	118.1 (46.5)	133.1 (52.4)
Screen viewing distance	>30.5 (>12)	>30.5 (>12)	>30.5 (>12)
Screen viewing angle	0-60 degrees	0-60 degrees	0-60 degrees

Adjustment parameters are defined in Figure 7-1. Guidelines are shown for small females (standing height of 150 cm or 59 in) and large males (standing height of 185 cm or 73 in). Midpoints are also interpolated for persons of more average height.

<sup>1</sup> *American National Standard for Human Factors Engineering of Visual Display Terminal Workstations.* ANSI/HFS 100-1988. Available through the Human Factors Society, Inc. P.O. Box 1369, Santa Monica CA 90406, U.S.A.



**Figure 7-1** Basic Parameters of VDT Workstation Adjustment (Adapted From ANSI/HFS 100-1988)



## Computer Aided Design (CAD) Operator Preferences

If you work on a CAD system, you may feel more comfortable using the ranges of adjustment shown in Table 7-2.

**Table 7-2** Workstation Adjustments Preferred by CAD Users<sup>a</sup>

Adjustment cm (in.)	Mean cm (in.)	Range cm (in.)
Seat pan height	54 (21.3)	50-57 (19.7-22.4)
Work surface height	73 (28.7)	70-80 (27.6 -31.5)
Monitor center above floor	113 (44.5)	107-115 (42.1-45.3)
Screen viewing distance	70 (27.6)	59-78 (23.2-30.7)
Work surface tilt	8.6 degrees	2-13 degrees
Monitor tilt <sup>b</sup>	-7.7 degrees	-15 - +1 degrees

a. Derived from Grandjean, Etienne. Ergonomics in Computerized Offices. London: Taylor & Francis Ltd., 1987, p. 148.

b. Negative tilt = a forward monitor inclination (top of the screen toward the operator)

## Tips for Setting Up and Using Your Workstation

The following tips may be useful for setting up an ergonomic work environment that is safe, comfortable, and productive. Although you may be able to perform this procedure yourself, it is useful to work with a friend to achieve the best fit.

### Facilities Selection

1. A good work chair should swivel, and you should be able to adjust the seat height while sitting. The seat should have a rounded front edge. The chair should have a large enough base to remain stable when adjusted to its maximum height. It should have castors or glides. Many chairs rock, which may partially relieve the muscle

tension from sitting in a fixed position. Some chairs can also be adjusted for seat tilt and depth, armrest height, backrest angle, and lower back support. Check the instructions that came with your chair to take advantage of its adjustability features.

2. Select a work surface that provides enough space to do your work without excessive turning, twisting, or stretching. The height of the work space should be adjustable and, if possible, you should be able to use the mouse and keyboard at the same height. This helps your neck, shoulders, and upper arms stay relaxed while you work.
3. Indirect lighting should be used, whenever possible, to prevent glare on the display screen. If you prefer lower levels of lighting (for example, 200-250 lx) than is usually found in offices, separate task lighting may be needed for reading documents. Wearing darker-colored clothing helps minimize glare reflections on the screen.

### **Adjusting Your Chair, Work Surface, and IRIS Indigo**

1. Adjust your chair first, from a seated position if possible. Your lower leg and thigh should form approximately a 90-degree angle at the knee, and your feet should rest flat on the floor. If you are short, you may want to use a footrest for better comfort.
2. Once your chair is adjusted, raise or lower your work surface to a height that allows you to keep your wrists flat and straight while using the keyboard and mouse. The angle between your lower and upper arm should be 70-90 degrees at the elbow. If necessary, use a padded wrist rest under the keyboard to support your wrists.
3. To minimize screen glare, position your monitor screen perpendicular to overhead lighting sources and windows. Do not set the monitor in front of or behind a window, or parallel to other sources of light. Tilting the screen forward slightly helps avoid glare. Adjusting the monitor controls to minimize brightness and maximize contrast may also reduce the effects of glare.
4. Adjust your monitor height so your line of sight in your regular seated position is at or near the top the screen. You should be able to see the whole screen without tilting your head forward or backward, within a 60 degree viewing angle of the normal line of sight. With smaller monitors, this may require using a display stand under the monitor base. With larger monitors, it may require a longer viewing distance (see Table 7-1).
5. These adjustment steps should be done each time a different person uses the workstation.

### **Workstation Usage**

1. When using the keyboard, mouse, or other input devices, keep the wrists flat as much as possible, and do not rotate the hands inward toward the thumbs or outward toward the pinkies.
2. Electronic keyboards and input devices do not require as much force to operate as manual typewriters. Type or click lightly, rather than pounding on the keyboard or mouse.
3. Document stands can be mounted on the work surface or can swing out on an arm to position documents next to the display. Such arrangements can be helpful in maintaining a healthy posture for using the workstation (head in approximately a straight line with the body).
4. You may find it helpful to take rest breaks of several minutes every one to two hours. During breaks, focus your eyes on objects or scenery at least 30 feet away, stretch, and move around.

### **Manufacturer's Regulatory Declarations**

The following sections provide regulatory information for the IRIS Indigo workstation.

## Manufacturer's Declaration of Conformity

**Manufacturer's name and address:** *Silicon Graphics, Inc.*  
Visual Systems Group  
2011 North Shoreline Boulevard  
Mountain View, California, 94039  
U.S.A.

**Manufacturer's name and address:** *Silicon Graphics Manufacturing S.A.*  
Chemin des Rochettes 2  
CH-2016 Cortaillod  
Switzerland

**Manufacturer's name and address:** *Nihon Silicon Graphics K.K.*  
Nissei Shin Mizonoguchi Building 5F  
87-1 Hisamoto, Takatsu-ku  
J-Kawasaki-shi, Kanagawa-ken 213  
Japan

**declares that the product**  
**Product name:** Indigo, Engineering Workstation Computer  
**Model number:** R4400 75 MHz processor  
CMN B003Y75

*conforms to the following specifications:*

**Safety:** IEC 950, First Edition  
EN 60950: 1988/AM 1: 1990  
UL 1950, First Edition  
CSA C22.2 No. 950-M89  
*Class 1, SELV*

**Type Approvals:** UL "Listed"  
CSA "Certified"  
TÜV "GS License"

**EMC** CISPR 22, Class B  
FCC Part 15, Class A  
Canada DOC, Class B  
VCCI, Class 2  
Germany VDE 0871, Class B; BZT registered  
**Other:** Germany ZH 1/618/10.80

**Supplementary Information:** For German ergonomic requirements this is certified as a "bookshelf" unit.

*Silicon Graphics, Inc.*



*Visual Systems Group*

Mountain View, CA  
1 November, 1993

David Hanttula, Product Compliance Engineering Manager  
Visual Systems Group

## Manufacturer's Declaration of Conformity

**Manufacturer's name and address:** *Silicon Graphics, Inc.*  
 Visual Systems Group  
 2011 North Shoreline Boulevard  
 Mountain View, California, 94039  
 U.S.A.

**Manufacturer's name and address:** *Silicon Graphics Manufacturing S.A.*  
 Chemin des Rochettes 2  
 CH-2016 Cortaillod  
 Switzerland

**Manufacturer's name and address:** *Nihon Silicon Graphics K.K.*  
 Nissei Shin Mizonoguchi Building 5F  
 87-1 Hisamoto, Takatsu-ku  
 J-Kawasaki-shi, Kanagawa-ken 213  
 Japan

*declares that the product*

**Product name:** Indigo, Engineering Workstation Computer  
**Model number:** R4000 50 MHz processor  
 CMN B003B

*conforms to the following specifications:*

**Safety:** IEC 950, First Edition  
 EN 60950: 1988/AM 1: 1990  
 UL 1950, First Edition  
 CSA C22.2 No. 950-M89  
 Class 1, SELV

**Type Approvals:** UL "Listed"  
 CSA "Certified"  
 TÜV "GS License"

**EMC** CISPR 22, Class A  
 FCC Part 15, Class A  
 Canada DOC, Class A  
 VCCI, Class 1  
 Germany VDE 0871, Class A; BZT registered

**Other:** Germany ZH 1/618/10.80

**Supplementary Information:** For German ergonomic requirements this is certified as a "bookshelf" unit.

*Silicon Graphics, Inc.*



*Visual Systems Group*

Mountain View, CA  
 8 August, 1993

David Hanttula, Product Compliance Engineering Manager  
 Visual Systems Group

## Manufacturer's Declaration of Conformity

**Manufacturer's name and address:** *Silicon Graphics, Inc.*  
Visual Systems Group  
2011 North Shoreline Boulevard  
Mountain View, California, 94039  
U.S.A.

**Manufacturer's name and address:** *Silicon Graphics Manufacturing S.A.*  
Chemin des Rochettes 2  
CH-2016 Cortaillod  
Switzerland

**Manufacturer's name and address:** *Nihon Silicon Graphics K.K.*  
Nissei Shin Mizonoguchi Building 5F  
87-1 Hisamoto, Takatsu-ku  
J-Kawasaki-shi, Kanagawa-ken 213  
Japan

*declares that the product*  
**Product name:** Indigo, Engineering Workstation Computer  
**Model number:** R3000 50 MHz processor  
CMN B003

*conforms to the following specifications:*

**Safety:** IEC 950, First Edition  
EN 60950: 1988/AM 1: 1990  
UL 1950, First Edition  
CSA C22.2 No. 950-M89  
*Class 1, SELV*

**Type Approvals:** UL "Listed"  
CSA "Certified"  
TÜV "GS License"

**EMC** CISPR 22, Class B  
FCC Part 15, Class B, FCC ID: INZB003  
Canada DOC, Class B  
VCCI, Class 2  
Germany VDE 0871, Class B; BZT registered  
**Other:** Germany ZH 1/618/10.80

**Supplementary Information:** This product is EMC Class B certified for the "ENTRY" level only. Graphics upgrades such as XS and XS24 are EMC Class A for all categories and agencies.

*Silicon Graphics, Inc.*



*Visual Systems Group*

Mountain View, CA  
1 August, 1993

David Hanttula, Product Compliance Engineering Manager  
Visual Systems Group

## Electromagnetic Emissions for IRIS Indigo R3000 and IRIS Indigo R4400

The Indigo R3000 complies with the Class B limits and the Indigo R4400 complies with the Class A limits of Part 15 of the FCC Rules. Operation is subject to the following two conditions:

- This device may not cause harmful interference.
- This device must accept any interference received, including interference that may cause undesired operation.

This equipment does not exceed the Class B limits of Canada's Department of Communications Radio Interference Regulations for radio noise emissions.

This device complies with Class B electromagnetic emissions limits of C.I.S.P.R. Publication 22, Limits and Methods of Measurement of Radio Interference Characteristics of Information Technology Equipment, Germany's BZT Class B limits for Information Technology Equipment, and with Japan's VCCI Class 2 limits.

この装置は、第二種情報装置（住宅地域又はその隣接した地域において使用されるべき情報装置）で住宅地域での電波障害防止を目的とした情報処理装置等電波障害自主規制協議会（VCCI）基準に適合しております。

しかし、本装置をラジオ、テレビジョン受信機に近接してご使用になると、受信障害の原因となることがあります。

取扱説明書に従って正しい取り扱いをして下さい。

**Figure 7-2** VCCI Class 2 Statement for Japan

**Caution:** Do not modify this product in any way that is not expressly approved by Silicon Graphics. If you do, you may lose your FCC or other government agency authority to operate this device.

## Electromagnetic Emissions for IRIS Indigo R3000 Elan and IRIS Indigo R4000

The Indigo R3000 Elan and Indigo R4000 comply with the Class A limits of Part 15 of the FCC Rules. Operation is subject to the following two conditions:

- This device may not cause harmful interference.
- This device must accept any interference received, including interference that may cause undesired operation.

This equipment does not exceed the Class A limits of Canada's Department of Communications Radio Interference Regulations for radio noise emissions.

This device complies with Class A electromagnetic emissions limits of C.I.S.P.R. Publication 22, Limits and Methods of Measurement of Radio Interference Characteristics of Information Technology Equipment, Germany's BZT Class A limits for Information Technology Equipment, and with Japan's VCCI Class 1 limits.

この装置は、第一種情報装置（商工業地域において使用されるべき情報装置）で商工業地域での電波障害防止を目的とした情報処理装置等電波障害自主規制協議会（VCCI）基準に適合しております。

従って、住宅地域またはその隣接した地域で使用すると、ラジオ、テレビジョン受信機等に受信障害を与えることがあります。

取扱説明書に従って正しい取り扱いをして下さい。

**Figure 7-3** VCCI Class 1 Statement for Japan

**Caution:** Do not modify this product in any way that is not expressly approved by Silicon Graphics. If you do, you may lose your FCC or other government agency authority to operate this device.

## Radio and Television Interference

The equipment described in this guide generates and uses radio frequency energy. If it is not installed and used in accordance with the instructions in this guide, it can cause radio and television interference.



This equipment has been tested and complies with the limits for a digital device in accordance with the specifications in Part 15 of FCC rules. These specifications are designed to provide reasonable protection against such interference in an industrial or office installation. However, there is no guarantee that the interference will not occur in a particular installation. This system is not certified for home use.

You can determine whether your system is causing interference by turning it off. If the interference stops, it was probably caused by the workstation or one of the peripherals. To tell if the interference is caused by one of the peripherals, try disconnecting one peripheral at a time to see if the interference stops. If it does, that peripheral is the cause of the interference.

If your workstation does cause interference to radio or television reception, try to correct the interference by using one or more of the following suggestions:

- Turn the television or radio antenna until the interference stops.
- Move the workstation to one side or the other of the radio or television.
- Move the system farther away from the radio or television.
- Plug the system into an outlet that is on a different circuit from the radio or television. (That is, make certain the workstation and the radio or television are on circuits controlled by different circuit breakers or fuses.)

## **Product Safety**

This product has been tested and is listed, certified, or approved to the following product safety standards:

- UL 1950
- CAN/CSA C22.2, No. 950-M89
- IEC 950
- EN 60 950
- Standard for Safety of Information Technology Equipment, including Electrical Business Equipment, Class1, SELV

## **Ergonomics**

This product meets the applicable requirements of ISO 9241, and the European Community Directive 90/270/EEC (Workstation Safety Law) specifications. This product also meets Germany's ZH1/618 requirements for desktside and bookshelf products.

## **Electrostatic Discharge**

Silicon Graphics designs and tests its products to be immune to effects of electrostatic discharge (ESD). ESD is a source of electromagnetic interference and can cause problems ranging from data errors and lockups to permanent component damage.

It is important that while you are operating your IRIS Indigo workstation you keep all the covers and doors, including the plastics, in place. The shielded cables that came with the system and its peripherals should be installed correctly, with all thumbscrews fastened securely.

An ESD wrist strap is included with some products, such as memory and graphics upgrades. The wrist strap is used when installing these upgrades to prevent the flow of static electricity, and it should protect your system from ESD damage.

## Shielded Cables

The IRIS Indigo workstation is FCC-compliant under test conditions that include the use of shielded cables between Indigo and its peripherals. Your workstation and any peripherals you purchase from Silicon Graphics have shielded cables. Shielded cables reduce the possibility of interference with radio, television, and other devices. If you use any cables that are not from Silicon Graphics, make sure they are shielded. Telephone cables do not need to be shielded.

The monitor cable supplied with your system uses additional filtering molded into the cable jacket to reduce radio frequency interference. Always use the cable supplied with your system. If your monitor cable becomes damaged, a replacement cable should be obtained from Silicon Graphics.

## Limited User Warranty

Silicon Graphics, Inc. warrants this IRIS hardware product, option or accessory against defects in material and workmanship for a period of ninety (90) days after the date of its original retail purchase (the "Warranty Period"). If you discover a defect in the Product during the Warranty Period, SGI will, at its sole option, repair or replace the Product at no charge to you, provided that you (i) return the product (transportation charges prepaid) during the Warranty Period to the authorized SGI dealer (or SGI service center, if purchased directly from SGI) from whom it was purchased, or return it to another authorized SGI dealer in the country of its original purchase, and (ii) have included a copy of a bill of sale bearing the appropriate SGI serial number as proof of the original date and location of the Product's purchase. This warranty applies only to hardware products manufactured by or for SGI and distributed under SGI's trademarks, and does not apply to any (i) SGI software accompanying the Product, which is licensed under a separate statement included with the software, (ii) Product that has been damaged by abuse, accident, misuse, misapplication or improper installation, and (iii) any Product that has been modified or has had its serial number removed or defaced.

The warranties and remedies specified above are exclusive, and are in lieu of, and SGI disclaims, all others, express, implied, oral or otherwise, including, without limitation, any warranty of merchantability or fitness for a particular purpose. No oral or written information or advice given by SGI, or its dealers or distributors, will create a warranty or increase the scope of this warranty, and you may not rely on such information or advice. Some states do not allow the exclusion of implied warranties, so the exclusion above may not apply to you. Any applicable implied warranties are limited in duration

to the period of time specified above. This warranty gives you specific legal rights, and you may have other rights that vary from state to state. SGI is not liable for any special, consequential, incidental or indirect damages of any kind (including without limitation loss of profits, data or goodwill, or property damage), whether or not SGI has been advised of the possibility of such loss, however caused and on any theory of liability, arising out of the use of the product, or resulting from a breach of this warranty. These limitations shall apply notwithstanding the failure of the essential purpose of any limited remedy. SGI's liability for actual damages for any cause whatsoever, regardless of the form of action, will be limited to the net amount paid by you for the purchase of the Product that caused the damages or is directly related to the cause of action. Some states do not allow the limitation or exclusion of liability for incidental or consequential damages, so this limitation may not apply to you.

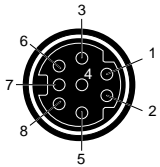
Silicon Graphics, Inc.  
2011 N. Shoreline Blvd.  
Mountain View, CA 94039-7311

## Cable Pinout Assignments

This appendix contains cable pinout information for the following ports located on the back of the Indigo<sup>2</sup> workstation:

- serial ports
- parallel port
- Ethernet AUI
- keyboard
- SCSI port
- audio ports

### Serial Ports

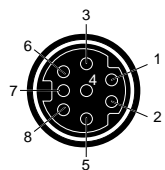


**Figure A-1**  
Serial Port  
Pinout Assignments

Table A-1 and Table A-2 show cable pinout assignments for the serial ports.

**Table A-1** 4D Compatible Pin Assignments (RS-232)

Pin	Assignment	Description
1	DTR	Data Terminal Ready
2	CTS	Clear To Send
3	TD	Transmit Data
4	SG	Signal Ground
5	RD	Receive Data
6	RTS	Request To Send
7	DCD	Data Carrier Detect
8	SG	Signal Ground



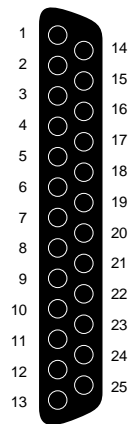
**Figure A-2**  
Serial Port  
Pinout Assignments

**Table A-2** Macintosh SE Compatible Pin Assignments (RS-422)

Pin	Assignment	Description
1	HSKo	Output Handshake
2	HSKi	Input Handshake Or External Clock
3	TxD-	Transmit Data -
4	GND	Signal Ground
5	RxD-	Receive Data -
6	TxD+	Transmit Data +
7	GPi	General Purpose Input
8	RxD+	Receive Data +

## Parallel Port

Table A-3 shows the cable pinout assignments for the parallel port.



**Figure A-3**  
Parallel Port  
Pinout Assignments

**Table A-3** Parallel Port (25-pin DSUB Connector)

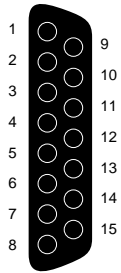
Pin	Assignment
1	STROBE
2	DATA(0)
3	DATA(1)
4	DATA(2)
5	DATA(3)
6	DATA(4)
7	DATA(5)
8	DATA(6)
9	DATA(7)

**Table A-3 (continued)** Parallel Port (25-pin DSUB Connector)

<b>Pin</b>	<b>Assignment</b>
10	ACK
11	BUSY
12	PE (Paper End)
13	SELECT
14	AUTOFEED
15	ERROR/FAULT
16	INIT/RESET
17	SELECT-IN (Direction)
18	GROUND
19	GROUND
20	GROUND
21	GROUND
22	GROUND
23	GROUND
24	GROUND
25	GROUND

## Ethernet AUI

Table A-4 shows the cable pinout assignments for the Ethernet AUI port.



**Figure A-4**  
Ethernet AUI Port  
Pinout Assignments

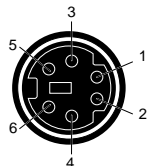
**Table A-4** Ethernet AUI Port (Thicknet)

Pin	Assignment
1	GROUND
2	COLLISION+
3	TRANSMIT+
4	GROUND
5	RECEIVE+
6	GROUND
7	(Reserved)
8	GROUND
9	COLLISION-
10	TRANSMIT-
11	GROUND
12	RECEIVE-
13	+12V
14	GROUND
15	(Reserved)



## Keyboard

Table A-5 shows the cable pinout assignments for the keyboard ports on the keyboard.

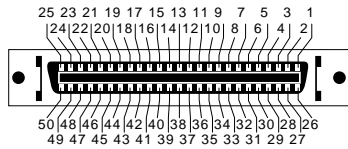


**Figure A-5**  
Keyboard Port  
Pinout Assignments

**Table A-5** Keyboard Port (6-pin MINIDIN on the keyboard)

Pin	Assignment
1	KEYBOARD TRANSMIT
2	MOUSE TRANSMIT
3	GROUND
4	KEYBOARD POWER (+5V)
5	KEYBOARD RECEIVE
6	(Reserved)

## SCSI Port



**Figure A-6** SCSI Port Pinout Assignments

Table A-6 shows the cable pinout assignments for the SCSI port.

**Table A-6** SCSI Port

Pin	Assignment
1	GROUND
2	GROUND
3	GROUND
4	GROUND
5	GROUND
6	GROUND
7	GROUND
8	GROUND
9	GROUND
10	GROUND
11	GROUND
12	Reserved
13	Open
14	Reserved
15	GROUND
16	GROUND

**Table A-6 (continued)** SCSI Port

---

<b>Pin</b>	<b>Assignment</b>
17	GROUND
18	GROUND
19	GROUND
20	GROUND
21	GROUND
22	GROUND
23	GROUND
24	GROUND
25	GROUND
26	DB(0)
27	DB(1)
28	DB(2)
29	DB(3)
30	DB(4)
31	DB(5)
32	DB(6)
33	DB(7)
34	DB(P)
35	GROUND
36	GROUND
37	Reserved
38	TERMPWR
39	Reserved
40	GROUND

---

**Table A-6 (continued)** SCSI Port

Pin	Assignment
41	ATN
42	GROUND
43	BSY
44	ACK
45	RST
46	MSG
47	SEL
48	C/D
49	REQ
50	I/O

## Audio

Table A-7 shows the cable pinout assignments for the audio ports.

**Table A-7** Audio Ports

Connector	Tip	Ring	Sleeve
Digital Input/Output	Out	In	GROUND
Headphone Output	L	R	GROUND
Line Output	L	R	GROUND
Line Input	L	R	GROUND
Microphone Input	L	R	GROUND

---

## Glossary

**account**

See *login account*.

**active window**

The only window that recognizes input (activity) from the keyboard and mouse; only one window is active at a time.

**address dial**

See *SCSI address dial*.

**administrator**

See *system administrator* and *network administrator*.

**back up**

To copy a certain set of files and directories from your hard disk to a tape.

**backup tape**

A tape that contains a copy of the files and directories that are on your hard disk. A full backup tape contains a copy of all files and directories, including IRIX, that are on your hard disk.

**baud rate**

The speed (calculated as bits per second) at which the computer sends information to a serial device, such as a modem or terminal.

**blanking panel**

A piece of black plastic attached to the front plastic panel of the Indigo chassis that covers either the top or middle drive slot. You remove a blanking panel after you install a drive in the slot that it was covering.

**boot**

To start up the system by turning on the workstation and monitor; the system is fully booted when you see the `console login:` prompt or the login screen.

**button**

On a mouse, a button is a switch that you press with a finger. In a window on your screen, a button is a labelled rectangle that you click using the cursor and mouse.

**CD-ROM disc (CD)**

A flat metallic disk that contains information that you can view and copy onto your own hard disk; you cannot change or add to its information. CD-ROM is short for *compact-disc: read-only memory*.

**CPU board**

The printed circuit board within your workstation chassis that contains the central processing unit(s). When you open the front metal panel of the Indigo chassis, it is the board on the left.

**card guides**

Narrow metal tracks at the top and bottom of the chassis into which you slide printed circuit boards.

**centralized network**

A network where a central server controls services and information; the server is maintained by one or more individuals called network administrators. On a centralized network that uses NIS, this server is called the NIS master, and all other systems on the network are called NIS clients. See also network administrator, *NIS*, *NIS client*, *NIS domain*, and *NIS master*.

**choose**

To press the left mouse button to bring up a pop-up menu, move the cursor to highlight the command that you want to run, then release the button.

**click**

To hold the mouse still, then press and immediately release a mouse button.

**configuration file**

A system file that you change to customize the way your system behaves. Such files are sometimes referred to as customization files.

**confidence test**

A test that you run to make sure a particular device (such as the keyboard, mouse, or a drive) is set up and working properly.

**connector**

Hardware at the end of a cable that lets you fasten the cable to an outlet, port, or other connector.

**console window**

The window that appears as a stowed icon each time you log in; IRIX reports all status and error messages to this window.

**current working directory**

The directory within the file system in which you are currently located when you are working in a shell window.

**cursor**

The small red arrow on the screen that echoes the movements of the mouse. It changes shape depending on its location on the screen.

**DAT**

A magnetic tape from which you can read and to which you can copy audio and digital information.

**default**

A set of behaviors that Silicon Graphics specifies on every system. You can later change these specifications, which range from how your screen looks to what type of drive you want to use to install new software.

**default printer**

The printer to which the system directs a print request if you do not specify a printer when you make the request. You set the default printer using the Print Manager.

**diagnostics**

A series of tests that check all hardware components of your system.

**directory**

A container in the file system in which you store other directories and files.

**disk use**

The percentage of space on your disk that contains information.

**disk resource**

Any disk (hard, CD-ROM, or floppy) that you can access either because it is physically attached to your workstation with a cable, or because it is available over the network using NFS.

**double-click**

To hold the mouse still, then press and release it twice, very rapidly. When you double-click an icon, it opens into a window; when you double-click the *Window menu* button, the window closes.

**drag**

To press and hold down a mouse button, then move the mouse. This drags the cursor to move icons or to highlight menu items.

**drive**

A hardware device that lets you access information on various forms of media, such as hard and floppy disks, CD-ROM discs, and magnetic tapes.

**drive address**

See *SCSI address*.

**external device**

Any piece of hardware that is attached to the workstation with a cable.

**export**

To use NFS software to make all or part of your file system available to other users and systems on the network.

**female connector**

A connector that has indentations or holes into which you plug a male connector. An example of a female connector is an electrical wall outlet that accepts an electrical plug.

**field**

An area in a window in which you can type text.



**file**

A container in which you store information such as text, programs, or images that you created using an application.

**file system**

A hierarchy of directories and files. Directories contain other directories and files; files cannot contain directories. The *root* (/) directory is at the top of the hierarchy.

**form**

A window containing buttons that you must click and/or editable fields that you must fill in.

**graphics board**

The printed circuit board within your workstation that contains the graphics processors. When you open the front metal panel of the Indigo chassis, it is the board on the right.

**grounded electrical outlet**

An electrical wall outlet that accepts a plug with a grounding prong. In the U.S.A., all three-prong outlets are grounded.

**handshake**

The protocol that controls the flow of information between a workstation and a printer.

**highlight**

To change the color of an item on the screen by positioning the cursor over it (locate-highlight), or by positioning the cursor over it and pressing a mouse button.

**home directory**

The directory into which IRIX places you each time you log in. It is specified in your login account; you own this directory and, typically, all its contents.

**host**

Any system connected to the network.

**hostname**

The name that uniquely identifies each host (system) on the network.

**Human Factors guidelines**

A set of standards and suggestions for making your working environment more comfortable and healthy.

**icon**

A small picture that represents a stored or closed file, directory, application, or IRIX process.

**internal drive**

A drive that fits inside the workstation and connects to an internal port; it is never connected with a cable to a visible external port. An internal drive is occasionally referred to as a front-loading drive.

**IP address**

The number that uniquely identifies each host (system) on the network.

**IRIS**

A graphics workstation manufactured by Silicon Graphics, Inc.

**IRIX**

The Silicon Graphics version of the UNIX operating system. See also *system software*.

**jot**

The text editor that comes as a standard utility on every Silicon Graphics workstation.

**KB (kilobyte)**

A standard unit for measuring the information storage capacity of disks and memory (RAM and ROM); 1000 bytes make one kilobyte.

**LED**

A light on a piece of hardware that indicates status or error conditions.

**launch**

To start up an application, often by double-clicking an icon.

**local workstation**

The physical workstation whose keyboard and mouse you are using, all hardware that is connected to that workstation, and all software that resides on that hardware or its removable media.

**lockbar**

A long piece of metal with a lock icon on the end that you attach to the chassis. It allows you to secure the workstation with a lock and locking cable.

**log in**

To give the system your login name so you can start a session on the workstation.

**log out**

To end a session on the workstation.

**login account**

A database of information about each user that, at the minimum, consists of the login name, user ID, and home directory.

**login name**

A name that uniquely identifies a user to the system.

**login screen**

The window that you see after powering on the system, before you can access files and directories. The window contains one icon for each login account on the system.

**MB (megabyte)**

A standard unit for measuring the information storage capacity of disks and memory (RAM and ROM); 1000 kilobytes make one megabyte.

**male connector**

A connector that has raised edges, pins, or other protruding parts that you plug into a female connector. An example of a male connector is an electrical plug that you plug into a wall outlet.

**man page**

An online document that describes how to use a particular IRIX command.

**menu**

A list of operations or commands that the workstation can carry out on various objects on the screen.

**monitor**

A hardware device that displays the images, windows, and text with which you interact to use the system. It is also called a video display terminal (VDT).

**monitor video cable**

The cable that connects the monitor to the workstation to transmit video signals. It is thick and beige, with large connectors on both ends.

**monitor power cable**

The cable that connects the monitor to the workstation to provide power to the monitor. It is thick and beige, with a male connector on one end and a female connector on the other.

**mount point**

The directory on your workstation from which you access information that is stored on a local or remote disk resource.

**mount**

To make a file system that is stored on a local or remote disk resource accessible from a specific directory on your workstation.

**mouse**

A hardware device that you use to communicate with windows and icons. You move the mouse to move the cursor on the screen, and you press its buttons to initiate operations.

**mouse pad**

For an optical mouse, this is the rectangular, metallic surface that reads the movements of the mouse. For a mechanical mouse, this is a clean, soft, rectangular surface that makes the mouse's track ball roll efficiently.

**network**

A group of computers and other devices (such as printers) that can all communicate with each other electronically to transfer and share information.

**network administrator**

The individual(s) responsible for setting up, maintaining, and troubleshooting the network, and for supplying setup information to system administrators of each system.

**notifier**

A form that appears when the system requires you to confirm an operation that you just requested, or when an error occurs.

**open**

To double-click an icon, or to select an icon, then choose "Open" from a menu in order to display a window that contains the information that the icon represents.

**option drive**

Any internal drive other than the system disk. Option drives include floppy disk drives, secondary hard disk drives, or DAT drives.

**outlets**

Openings in the hardware to which you attach connectors to make an electrical connection.

**PROM monitor**

The interface that you use to communicate with the system after it is powered up, but before it is booted up and running IRIX.

**Printer Manager**

A tool that you access through either the System toolchest or the System Manager. You use it to set up printer software and monitor jobs that you send to the printer.

**parallel device**

Any hardware device that requires a parallel cable connection to communicate with the workstation.

**parallel port**

An outlet on the workstation to which you connect external parallel devices.

**password**

A combination of letters and/or numbers that only you know; it is an optional element of your login account. If you specify a password for your account, you must type it after you type your login name before the system will let you access files and directories.

**pathname**

The list of directories that leads you from the *root* (/) directory to a specific file or directory in the file system.

**peripheral**

A hardware device that adds more functionality to the basic workstation, such as a tape drive. See also *external devices* and *internal drives*.

**port**

An outlet to which you attach cable connectors.

**power-on diagnostics**

A series of tests that automatically check the hardware components of your system each time you turn it on.

**power cable**

The cable that connects the workstation to a grounded electrical outlet.

**power down**

To turn off the power switches on the workstation chassis and the monitor.

**power supply**

The piece of hardware within the Indigo chassis that directs power from an electrical outlet to the chassis, the monitor, and internal SCSI devices. It also contains the power switch, reset button, and fan.

**power up**

To turn on the workstation and monitor by pressing their power switches.

**prompt**

A character or word that the system displays in an IRIX shell; it indicates that the system is ready to accept commands. The default prompt for regular user accounts is %; the default prompt for the root account is #.

**quit**

To stop running an application.

**remote workstation, drive, disk, file system, or printer**

A hardware device, or the information or media it contains, that you can access across the network; they are not physically connected to your workstation.

**reset button**

A physical button on the workstation that you can press, which cuts off power to the workstation, and then immediately restores it. You should never press this button while IRIX is running, unless all attempts fail to shut down the system using software. See also *shut down*.

**restore (files)**

To copy files that once resided on your hard disk from another disk or a tape back onto your hard disk.

**root account**

The standard IRIX login account reserved for use by the system administrator. This account's home directory is the *root* (/) directory of the filesystem; the user of the *root* account has full access to the entire filesystem (that is, can change and delete any file or directory). The user of this account is sometimes referred to as the *superuser*.

**root (/) directory**

The directory at the top of the file system hierarchy.

**SCSI**

Stands for small computer system interface (pronounced "scuzzy"). SCSI is a high speed input/output specification for small computers.

**SCSI address**

A number from one to seven that uniquely identifies a SCSI device to a system. No two SCSI devices that are physically connected to the same workstation can have the same SCSI address.

**SCSI address dial**

A small plastic dial connected to most Silicon Graphics SCSI devices. You click on its small buttons to select a SCSI address for a new SCSI device.

**SCSI bus line**

The combined length of all internal and external SCSI cables in a system.

**SCSI cable**

A cable that connects a SCSI device to a SCSI port on a workstation.

**SCSI device**

A hardware device that uses the SCSI protocol to communicate with the system. Hard disk and floppy disks, CD-ROM discs, and tape drives are all SCSI devices. See also *SCSI*.

**SCSI terminator**

A metal cap that you plug into any open SCSI port on a SCSI bus line. No SCSI devices on a SCSI bus line work unless all SCSI ports are occupied by either a cable or terminator.

**SIMM**

A small printed circuit board with several chips that contain additional megabytes of random-access memory (RAM).

**SIMM removal tool**

An L-shaped metal tool that you use to loosen SIMMs installed in the SIMM sockets.

**SIMM socket**

A long, thin, female connector located on the CPU board into which you insert a SIMM.

**System Manager**

A set of tools that the administrator uses to set up and manage the Silicon Graphics workstation. You access the System Manager through the System toolchest.

**System toolchest**

The toolchest in the upper left-hand corner of the screen, labelled "System." You start system tools, such as System Manager, using this menu.

**screen**

The portion of the monitor that displays information.

**select**

To position the cursor over an icon, then click the (left) mouse button. Once an icon is selected, it is the object of whatever operation you select from a menu.



**serial device**

Any hardware device that requires a serial cable connection to communicate with the workstation.

**serial port**

An outlet on the workstation to which you connect external serial devices.

**server**

A system that other systems on the network access to use its disk space, software, or services.

**shell**

A window into which you type IRIX commands.

**shielded cable**

A cable with a protective covering that reduces the possibility of interference with radio, television, and other devices.

**shut down**

To safely close all files, log out, and bring the workstation to a state where you can safely power it down. You choose "System Shutdown" from the System toolchest menu to do this.

**software option**

Any software product that you buy from Silicon Graphics other than the standard system software that comes on your system disk.

**stand-alone workstation**

A workstation that is not connected to a network.

**static electricity**

Whenever your body comes in physical contact with metal parts (including printed circuit boards) of computer equipment there is the potential for you to feel an electrical shock (electro-static discharge, or ESD) which could damage the equipment. To prevent this, you must always wear a wrist strap when working with internal parts of a workstation.

**superuser**

An alternate name for the user of the *root* login account. See also *system administrator*.

**system**

All the hardware and software that makes up the workstation.

**system administration**

The tasks associated with setting up, maintaining, and troubleshooting a networked or stand-alone system.

**system administrator**

The individual responsible for setting up, maintaining, and troubleshooting a system. The system administrator uses the *root* login account to perform most administrative tasks.

**system crash**

When the IRIX operating system fails and the system will not accept any keyboard or mouse input.

**system disk**

The physical disk that contains the standard IRIX operating system software (the software that makes your workstation run).

**system software**

The standard IRIX operating system software and Silicon Graphics tools. These come on the system disk and on the CD that you use in the event of a system crash.

**Tape Tool**

A tool for copying files to and from local and remote tapes or disks. It is available through the System toolchest.

**TCP/IP**

The standard networking software that is included in the system software.

**thumbscrew**

The ridged knob attached to a screw in a cable connector. You turn it to secure the connector to an outlet.

**upgrade**

Hardware that you add to the basic workstation to increase performance, such as additional memory (SIMMs) or faster graphics boards.

**unmount**

To make a file system that is accessible from a specific directory on your workstation temporarily inaccessible.

**user ID**

A number that uniquely identifies a user to the system.

**window**

A portion of the screen that you can manipulate that contains text or graphics.

**workstation**

The physical hardware that contains the CPU and graphics boards, a system disk, and a power supply. You connect it to a monitor, keyboard, and mouse to configure a working system. The workstation is also sometimes referred to as the chassis.

**wrist strap**

A coiled cable with a loop at one end and an alligator clip at the other. You place the loop around your wrist and fasten the clip to a metal part of the workstation whenever you work with internal components of the workstation. This prevents electrical shocks to yourself and the components. See also *static electricity*.



---

# Index

## A

addresses, for external drives, 75  
audio ports cable pinouts, 188

## B

backups, 129, 131, 166  
blinking orange light, 113

## C

cable pinout assignments, 181  
  audio ports, 188  
  Ethernet AUI port, 184  
  keyboard port, 185  
  parallel port, 182  
  SCSI port, 186  
  serial ports, 181  
cables  
  Ethernet cables, 23  
  for dial and button boxes, 84  
  keyboard cables, 22  
  mouse cables, 22  
  serial cables, 84  
  serial device power cables, 85  
  system power cables, 24  
  using shielded, 179  
CD-ROM drives, 15

confidence tests, 121  
  for dial and button boxes, digitizer tablets and  
    Genlock options, 123  
  for keyboards, 124  
  for monitors, 125  
  for mouse, 126  
  for tape drives, 127

Console window, 32

CPU boards

  error messages regarding, 115  
  installation of memory SIMMs on, 45  
  putting back in workstation, 51, 62  
  removing, 44, 56  
  removing memory SIMMs from, 58  
  replacing, 141  
  returning to SGI, 135

CPU module

  replacing on Indigo R4000, 145

## D

diagnostic tests, 118  
  confidence tests, 121  
  for dial and button boxes, digitizer tablets and  
    Genlock options, 123  
  for keyboards, 124  
  for monitors, 125  
  for mouse, 126  
  for tape drives, 127  
  power-on, 26, 112

dial and button boxes, 83, 84  
  confidence tests for, 123  
dials boxes, 83  
digitizer tablets, 83  
  confidence tests for, 123  
disk drives  
  external, 75  
  floppy, 73, 82  
  internal, 67  
drive addresses, for external drives, 75

## E

Electronics Modules, 120  
error messages  
  for CPU boards, 115  
  for Electronics Modules, 120  
  for graphics boards, 115  
  for memory SIMMs, 113, 156  
<Esc> key, to perform system maintenance, 129  
Ethernet AUI port cable pinouts, 184  
Ethernet cables, 23  
external drives  
  checking drive address of, 75  
  installation of, 76

## F

floppy disk drives, 73, 82

## G

Genlock options, 123  
graphics boards  
  error messages regarding, 115  
  replacing, 136  
graphics tests, 120

## H

hardware  
  hinv command to check, 55, 72, 81  
  maintenance of, 165  
  parts included, 14  
  *See* peripherals; troubleshooting  
help, accessing online, 33  
help, online, 6  
hinv command, 55, 72, 81

## I

InSight documentation, 6  
installation  
  of external drives, 75  
  of internal drives, 18, 67  
  of IRIS Indigo workstations, 16  
  of memory SIMMs, 41  
  of serial devices, 83  
  of the system disk, 17  
installation tape, 131  
installing  
  new operating system, 93  
  optional software, 97  
  software subsystems, 102  
interference to radios and televisions, 176

internal drives  
  installation of, 67  
  turning on software, 72

IRIS Indigo workstations  
  installation of, 16  
  installation of external drives for, 75  
  installation of memory SIMMs in, 41  
  locking up, 36  
  powering up, 25  
  service and support information for, 161  
  setting up, 12  
  shutting down, 34  
  site selection for, 12  
  turning off, 34  
  turning on, 25  
  unpacking, 12

IRIX shell, 32

## K

keyboard cables, 22

keyboard port cable pinouts, 185

keyboards  
  confidence tests for, 124  
  installation of, 22  
  replacing, 136  
  troubleshooting, 116

## L

limited user warranty, 179

locking up IRIS Indigo workstations, 36

login account  
  setting up, 28

login screen, 34, 72

## M

maintenance, 165

manuals, 5

manuals, accessing online, 33

memory SIMMs  
  blinking orange light indicator of problems with, 113  
  checking, after installation, 54  
  checking and removing, 156  
  installation of, 41  
  installing in an Indigo R3000, 47  
  installing in an Indigo R4000, 49  
  removing, 55  
  removing from an Indigo R3000, 59  
  removing from an Indigo R4000, 61

monitor power cables, 21

monitors  
  confidence tests for, 125  
  installation of, 20

monitor video cables, 20

mouse  
  confidence tests for, 126  
  installation of, 22  
  shortcuts with, 30  
  techniques, 30  
  troubleshooting, 116

mouse cables, 22

## O

online documentation, 6

online help, how to access, 33

online manuals, how to access, 33

operating system  
  installing new version, 93

optional software  
  installing, 97  
  removing, 107  
option disk drives, installation of, 18  
orange light  
  blinking, 113  
  solid, 114

## P

parallel port cable pinouts, 182  
peripherals  
  confidence tests for, 121  
  disk drives, installation of, 18  
  error messages regarding, 120  
  external drives, 75  
  internal drives, 67  
  serial devices, 83  
power cables  
  for monitors, 21  
  for SCSI devices, 80, 81  
  for serial devices, 85  
powering down IRIS Indigo workstations, 34  
powering up IRIS Indigo workstations, 25  
power-on diagnostics, 26, 112  
power supplies, replacing, 151

## R

radio interference, 176  
recovery from system crashes, 129  
removing  
  CPU boards, 142  
  graphics boards, 137  
  keyboards, 136  
  memory SIMMs, 55, 156  
  optional software, 107

  power supplies, 152  
  software subsystems, 102  
replacing  
  CPU boards, 141  
  graphics boards, 136  
  keyboards, 136  
Reset button, 129  
reset button, 119

## S

safety, 165  
screens  
  looking strange, 116  
screens. *See also* monitors  
SCSI  
  port cable pinouts, 186  
SCSI connectors, 77  
SCSI devices, external drives, 75  
serial  
  cable pinouts for ports, 181  
serial cables, 84  
serial connectors, 83  
serial devices, installation of, 83  
service information, 161  
setting up IRIS Indigo workstations, 12  
shielded cables, 179  
shutting down IRIS Indigo workstations, 34  
Silicon Graphics, Inc.  
  service and support from, 161  
SIMMs. *See* memory SIMMs  
site selection for IRIS Indigo workstations, 12  
software  
  for serial devices, 85  
  installing new operating system, 93  
  installing optional, 97  
  maintenance of, 166



- on CD-ROM drives, 15
- on internal drives, turning on, 72
- removing optional, 107
- system crashes resulting from problems with, 129
- solid orange light, 114
- static electricity, 43, 57, 137, 143
- subsystems
  - installing and removing, 102
- support information, 161
- System chest
  - to shut down the workstation, 118
- system crashes, recovery from, 129
- system disks, installation of, 17
- system maintenance, 129
  - to check new memory, 54
- System Maintenance Menu, 129
- system power cables, 24
- System Tour, 7

## T

- tape drives
  - confidence tests for, 127
- television interference, 176
- Toolchest menu, to shut down the workstation, 118
- troubleshooting
  - checking and removing memory, 156
  - confidence tests, 121
  - diagnostic tests, 118
  - dial and button boxes, digitizer tablets and
    - Genlock options, 123
  - keyboards, confidence tests for, 124
  - keyboards, replacing, 136
  - monitors, confidence tests for, 125
  - mouse, confidence tests for, 126
  - power-on tests, 112
  - recovery from system crashes, 129
  - replacing CPU boards, 141

- replacing graphics boards, 136
- replacing power supplies, 151
- service and support for, 161
- tape drives, confidence tests for, 127
- turning off IRIS Indigo workstations, 34
- turning on IRIS Indigo workstations, 25

## U

- unpacking IRIS Indigo workstations, 12

## V

- video cables, 20

## W

- warranty, 179
- workstations
  - radio and television interference caused by, 176
- workstations. *See* IRIS Indigo workstations
- wrist strap, 43, 57, 137, 143

## Y

- yellow fault light, 120



# Part Request Form

RMA#
Closed _/_/

Company Name
Street Address
City/State/Zip Code
Contact
Phone
Fax
Purchase Order Number

Call ID #	Model Type	Warranty Y   N	System Serial # (as found on back panel)
-----------	------------	-------------------	--

## System Configuration Information:

System S/W Version _____	Type of failure: <input type="checkbox"/> Solid <input type="checkbox"/> Intermittent	Peripherals: <input type="checkbox"/> DAT <input type="checkbox"/> CD-ROM <input type="checkbox"/> Floptical <input type="checkbox"/> Other_____	Voltage: <input type="checkbox"/> 110 <input type="checkbox"/> 220	Disk (MB/GB) _____	Memory (MB): _____
-----------------------------	---	--	--	-----------------------	-----------------------

Problem description (please describe symptoms, error messages and actions taken):

---



---



---



---



---

Date \_\_\_\_\_

## Failed part information:

Part Number:	Revision:	Date:
□□□□ - □□□□□□ - □□□□	□□□□	_/_/
□□□□ - □□□□□□ - □□□□	□□□□	_/_/
□□□□ - □□□□□□ - □□□□	□□□□	_/_/
□□□□□□□□	□□□□	_/_/
□□□□□□□□	□□□□	_/_/
□□□□□□□□	□□□□	_/_/

For fast service, please complete this form in its entirety!

## Tell Us About This Manual

As a user of Silicon Graphics documentation, your comments are important to us. They help us to better understand your needs and to improve the quality of our documentation.

Any information that you provide will be useful. Here is a list of suggested topics to comment on:

- General impression of the document
- Omission of material that you expected to find
- Technical errors
- Relevance of the material to the job you had to do
- Quality of the printing and binding

## Important Note

Please include the title and part number of the document you are commenting on. The part number for this document is 007-9065-050.

Thank you!

## Three Ways to Reach Us



The **postcard** opposite this page has space for your comments. Write your comments on the postage-paid card for your country, then detach and mail it. If your country is not listed, either use the international card and apply the necessary postage or use electronic mail or FAX for your reply.



If **electronic mail** is available to you, write your comments in an e-mail message and mail it to either of these addresses:

- If you are on the Internet, use this address: [techpubs@sgi.com](mailto:techpubs@sgi.com)
- For UUCP mail, use this address through any backbone site:  
*[your\_site]!sgi!techpubs*



You can forward your comments (or annotated copies of pages from the manual) to Technical Publications at this **FAX** number:

415 965-0964